

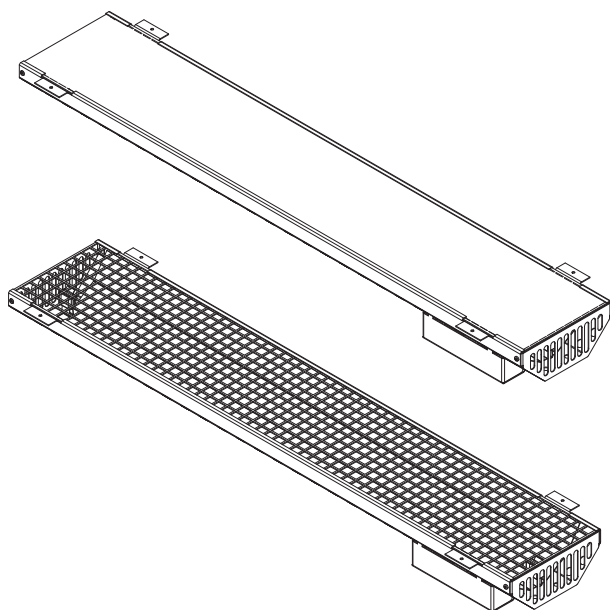
Full spectrum radiator

VITAE 350 / 500 / 750 / 1300

ECO 350 / 500 / 750

INSTRUCTIONS FOR INSTALLATION AND USE

English



1-027-780 / DIR-350-R
1-027-781 / DIR-500-R
1-027-782 / DIR-750-R
1-027-779 / DIR-1300-R
1-027-785 / ECO-350-R
1-027-788 / ECO-500-R
1-027-790 / ECO-750-R

1-027-845 / WIR-350-R
1-027-846 / WIR-500-R
1-027-847 / WIR-750-R
1-027-844 / WIR-1300-R
1-027-784 / ECO-350-G
1-027-787 / ECO-500-G

EN

DE

FR

IT

NL

Table of Contents

| | |
|---|-----------|
| 1. About this instruction manual | 3 |
| 2. Important information for your safety | 4 |
| 2.1. Intended use | 4 |
| 2.2. Safety information | 4 |
| 3. Product description | 7 |
| 3.1. Scope of delivery | 7 |
| 3.2. Product features | 7 |
| 3.3. Optional accessories | 7 |
| 4. Correct placement | 8 |
| 5. Installation and connection | 9 |
| 5.1. Safety distances | 10 |
| 5.2. Installation cut-out | 11 |
| 5.3. Recessed | 12 |
| 6. Cleaning and maintenance | 13 |
| 6.1. Cleaning | 13 |
| 6.2. Maintenance | 13 |
| 7. Disposal | 13 |
| 8. Technical data | 14 |

1. About this instruction manual

Read these assembly instructions carefully and keep them within reach when using the infrared radiator. This ensures that you can refer to information on safety and use at any time.



These installation and operating instructions can also be found in the downloads section of our website: www.sentiotec.com/downloads.

Symbols used for warning notices

These assembly instructions feature warning notices next to activities that present a hazard to the user. Always observe the warning notices. This prevents damage to property and injuries, which in the worst case may be fatal.

The warning notices contain keywords, which have the following meanings:



DANGER!

Serious or fatal injury will occur if this warning notice is not observed.



WARNING!

Serious or fatal injury can occur if this warning notice is not observed.



CAUTION!

Minor injuries can occur if this warning notice is not observed.

ATTENTION!

This keyword is a warning that damage to property can occur.

Other symbols



This symbol indicates tips and useful information.



Do not cover



Read the operating instructions

2. Important information for your safety

The infrared radiator has been produced in accordance with the applicable safety rules and regulations. However, hazards may arise during use. Therefore adhere to the following safety information and the specific warning notices in the individual chapters.

2.1. Intended use

The infrared radiator is used to heat people's bodies and/or to heat an infrared cabin.

The infrared radiator may only be operated in combination with a control unit that features an automatic heating time limiter.

Any use exceeding this scope is considered improper use. Improper use can result in damage to the product, severe injuries or death.

2.2. Safety information

- The clamping connections may only be installed by a qualified electrician or similarly qualified person.
- The plugs connectors may be installed by the user.
- Installation and connection work on the infrared radiator may only be performed when the power supply is disconnected.
- Also comply with the regulations applicable at the installation location. The specifications in EN 60335-2-53 (VDE 0700 Part 53) must be complied with.

- Ensure that the infrared radiator is not exposed to any mechanical stress, as this will result in breakage. A radiator with a glass front or radiator element that is broken may no longer be used. The glass or the radiator element must be replaced (for the item number, see 8. Technical data on page 14)
- When positioning and installing the infrared radiator, the minimum safety distances must be complied with (see 5.1. Safety distances on page 10)
- The radiator satisfies the requirements in accordance with IPX2. For splashproof installation in accordance with IPX4, the edge of the infrared radiator must be fitted with a veneer (e.g: stainless steel panel, see 3.3. Optional accessories on page 7)
- Radiators must not be installed in a steam bath.
- For your own safety, consult your supplier in the event of problems that are not described in sufficient detail in the user instructions.
- Make sure that no flammable objects have been placed on or suspended in front of the infrared radiator before the control unit is switched on.
- Never touch the glass on the infrared radiator when it is operating. The glass on the infrared radiator becomes very hot. Depending on the user function, contact protection may need to be installed (e.g: wooden backrest, protective grille, see 3.3. Optional accessories on page 7).
- The device must not be used by children under 8 years of age.

- The device may only be used by children over 8 years of age, by persons with limited psychological, sensory or mental capabilities or by persons with lack of experience/knowledge under the following conditions:
 - They are supervised.
 - They have been shown how to use the device safely and are aware of the hazards that could occur.
- Children must not play with the device.
- Children under 14 years of age may only clean the device if they are supervised.
- If you are affected by a limited sensitivity to heat or are under the influence of alcohol, medication or drugs, refrain from using the infrared radiator for health reasons.
- If persistent erythema (reddening of the skin for more than one day) or mottled skin discolouration occurs after regular exposure to infrared radiation, do not repeat the exposure and consult a doctor to prevent it developing into the more serious condition erythema ab igne.
- It is not advisable to use the infrared radiator within 24 hours of exposing your skin to ultraviolet radiation from an artificial source or from sunbathing.
- If in doubt, people at risk of hyperthermia, such as those who suffer from cardiovascular conditions, should consult a doctor before using a thermal cabin.
- For your own safety, consult your supplier in the event of problems that are not described in sufficient detail in the user instructions.

3. Product description

3.1. Scope of delivery

- IR radiator incl. 3 m connection cable with plug
- Assembly instructions

3.2. Product features

The infrared radiator features the following functions:

- Installation as a back, front or ceiling radiator
- Intrinsically safe due to safety temperature limiter
- Infinitely dimmable
- Models with a glass cover feature protection class IPX4 (suitable for saunas) when installed in combination with front panel or wooden backrest
- VITAE full spectrum radiator Nextrema dark
Radiation intensity: A 24%, B 55%, C 21%
- Nextrema full spectrum radiator white
Radiation intensity: A 9%, B 57%, C 34%
- ECO full spectrum radiator with glass
Radiation intensity: A 24%, B 55%, C 21%
- ECO full spectrum radiator with grille
Radiation intensity: A 14%, B 40%, C 46 %

3.3. Optional accessories

- Brushed stainless steel front panel
(350W/1-027-948, 500/750/1300W/1-027-779)
- Stainless steel front panel painted black
(350W/1-027-905, 500/750/1300W/1-027-157)
- Protective grille (350/1-027-791, 500W/1-027-792)
- Ergonomic backrest (350/500W/514-L/A/D)
- Ergonomic VitaMy backrest (350W/1-039-182)

- Lime wood backrest (350W/1-028-578, 500/750W/1-032-185)
- Prestige wooden backrest (350W/1-032-186, 500/750W/1-032-213)
- Infrared distributor (IR-1P2, IR-1P3, IR-1P5)
- Cable for distributor (IR-1P2, IR-1P3, IR-1P5)
- Connection cable for distributor (IR-IS-A03, IR-IS-A10, IR-IS-A25)

4. Correct placement

Application as:

- Back radiator: 350 W, 500 W
- Front radiator: 350 W, 500 W or 750 W
- Ceiling radiator: 750 W, 1300 W

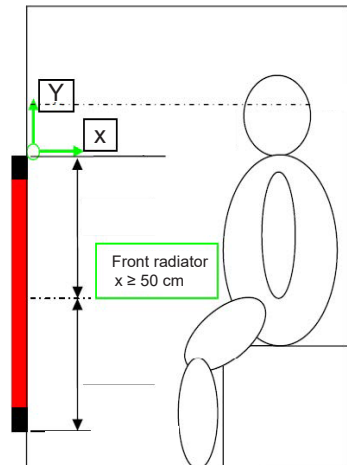
According to EN 60335-2-53, an infrared thermal cabin with a 20 cm x 20 cm grid of averaged irradiation must not exceed 1000 W/m² on a person's chest and back (note that this limit relates to the prevention of heat stress).

To ensure that this limit is not exceeded, only a 350 W or 500 W radiator may be used as a back radiator. Furthermore, when positioning the back radiator, ensure that the distance from the person's back to the radiator does not exceed 4 cm.

Only 350 W, 500 W or 750 W radiators may be used as front radiators. Ensure that the minimum distance between the upper body and front radiator is not less than 50 cm (in picture „x“)

To ensure that the ICNIRP limit values for the long-term limit value of 100 W/m² for “infrared eye” are not exceeded, the radiators must be moved down (in picture „Y“).

Detailed information can be found in the appraisals LE-G18/3 and LE-G31/18 conducted by Seibersdorf Laboratories.



5. Installation and connection



WARNING!

Danger of electric shock

- Only perform installation and connection work on the infrared radiator when the power supply has been disconnected.

- The radiator is delivered with a plug already installed. The plug-in connector may also be installed by the user.
- If the radiator connection is integrated into a control unit, remove the plug. The clamp connection may only be installed by a qualified electrician or similarly qualified person.
- The rear of the radiator must NOT be covered to ensure that the heat generated can escape through the openings.
- The ventilation slots at the top and bottom must NOT be covered (see **Fig. 1**).
- To ensure that the thermal fuse functions correctly, the terminal box for the radiator must be at the top when the radiator is installed vertically (e.g. back radiator) (see **Fig. 14**).
- Maintain the minimum safety distances to easily flammable materials (see **5.1. Safety distances on page 10**).

EN



Fig. 1: Do not cover ventilation slots



Fig. 2: Terminal box position

5.1. Safety distances

Observe the specified minimum safety distances and **Fig. 3**.

Infrared radiator 350 W, 500 W

(DIR-350-R / DIR-500-R / WE-350-R / WE-500-R /
ECO-350-R / ECO-500-R / ECO-350-G / ECO-500-G)

When installed vertically:

B = 15 mm

F = 25 mm

When installed horizontally:

B = 80 mm

F = 25 mm

Infrared radiator 750 W (DIR-750-R / WIR-750-R / ECO-750-R)

When installed horizontally:

B = 100 mm

F = 150 mm

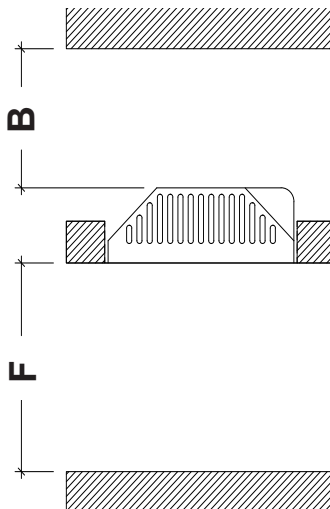
Infrared radiator 1300 W (DIR-1300-R / WIR-1300-R)

When installed horizontally:

B = 150 mm

F = 200 mm

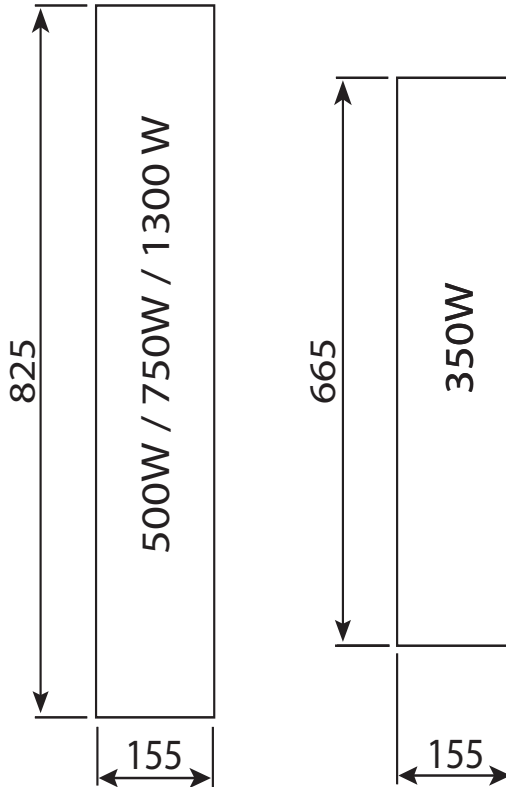
Fig. 3: Infrared radiator safety distances



5.2. Installation cut-out

Please note **Fig. 1** and **Fig. 4**.

Fig. 4: Infrared radiator installation cut-outs
Dimensions in mm



5.3. Recessed

Please note **Fig. 2** and **Fig. 5**.

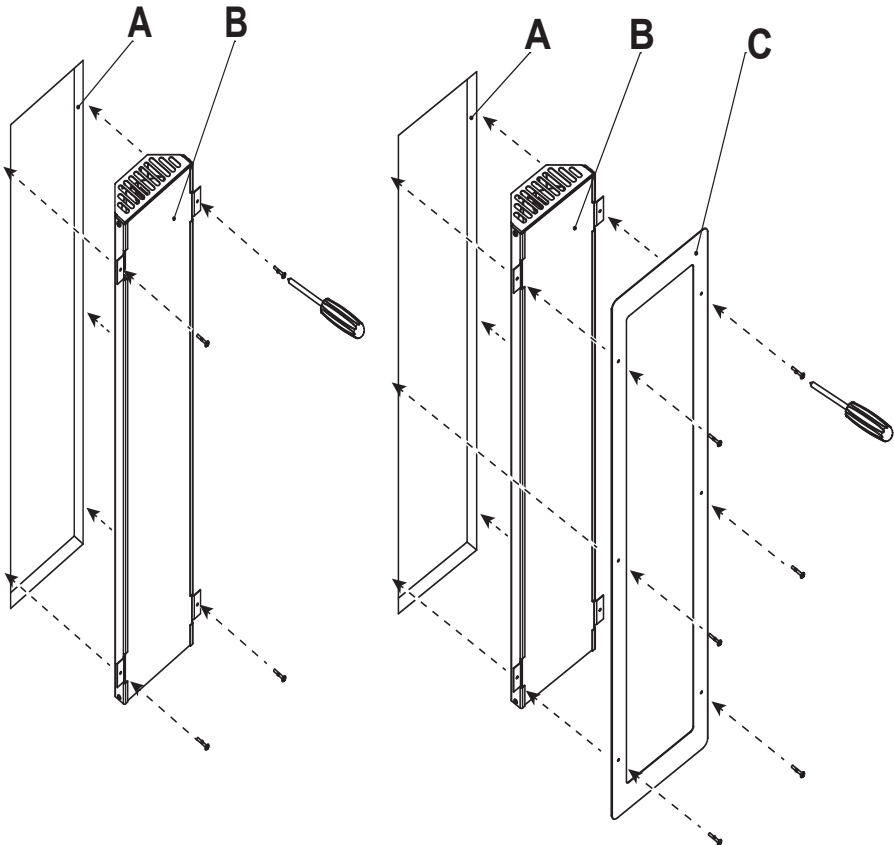


CAUTION!

Make sure that the terminal box for the radiator is on top!

An intumescent strip is included with the 1300 W infrared radiator. Stick this to the outer edge of the cut-out before installing the radiator (**see A in Fig. 5**)

Fig. 5: Installation of infrared radiators without and with optional stainless steel panel



- A Cabin wall cut-out
- B Infrared radiator
- C Stainless steel panel (optional)

6. Cleaning and maintenance

6.1. Cleaning

ATTENTION!

Damage to the unit

The infrared radiator is protected against splashing water, however direct contact with water could still damage it.

- NEVER immerse the device in water.
- Do not pour water over the device.
- Do not get the device too wet when cleaning it.

1. Switch off the radiator
2. Allow the radiator to cool down
3. Carefully wipe down the glass with a damp cloth.

EN

6.2. Maintenance

The infrared radiator is maintenance-free.

7. Disposal

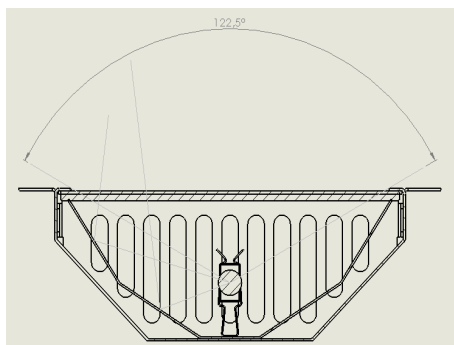
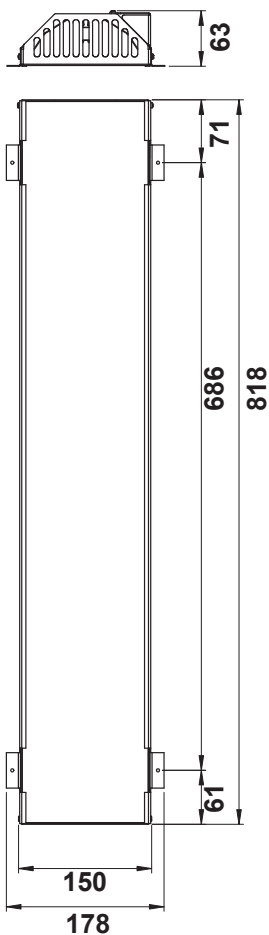


- Dispose of packaging materials in accordance with the applicable waste disposal regulations.
- Used devices contain reusable materials as well as hazardous substances. Therefore, do not dispose of your used device with household waste, but do so in accordance with the locally applicable regulations.

8. Technical data

General, for all radiators

| | |
|----------------------|---|
| Storage conditions: | -25°C to +70°C |
| Ambient temperature: | +10°C to +140°C |
| Mains voltage: | 230 V ~ 1N 50 Hz |
| Thermal fuse: | 130°C |
| IP code: | IPX2 |
| Connection cable: | 3 m - 3 x 1.5 mm ² insulated with plug |
| Radiation angle: | 122.5° |



DIR-350-R

| | |
|-------------------|-----------------------------------|
| Dimensions: | L1 = 523 mm, L2 = 658 mm |
| Front glass: | Schott Nextrema, dark (1-027-840) |
| Radiator element: | 350 W - Vitae (1-027-836) |

DIR-500-R

| | |
|-------------------|-----------------------------------|
| Dimensions: | L1 = 686 mm, L2 = 818 mm |
| Front glass: | Schott Nextrema, dark (1-027-839) |
| Radiator element: | 500 W - Vitae (1-027-837) |

DIR-750-R

| | |
|-------------------|-----------------------------------|
| Dimensions: | L1 = 686 mm, L2 = 818 mm |
| Front glass: | Schott Nextrema, dark (1-027-839) |
| Radiator element: | 750 W - Vitae (1-027-838) |

DIR-1300-R

| | |
|-------------------|-----------------------------------|
| Dimensions: | L1 = 686 mm, L2 = 818 mm |
| Front glass: | Schott Nextrema, dark (1-027-839) |
| Radiator element: | 1300 W - Vitae (1-027-835) |

WIR-350-R

| | |
|-------------------|---------------------------------------|
| Dimensions: | L1 = 523 mm, L2 = 658 mm |
| Front glass: | Schott Nextrema, white (1-027-842) |
| Radiator element: | 350 W - ECO full spectrum (1-027-783) |

WIR-500-R

| | |
|-------------------|---------------------------------------|
| Dimensions: | L1 = 686 mm, L2 = 818 mm |
| Front glass: | Schott Nextrema, white (1-027-841) |
| Radiator element: | 500 W - ECO full spectrum (1-027-786) |

WIR-750-R

| | |
|-------------------|---------------------------------------|
| Dimensions: | L1 = 686 mm, L2 = 818 mm |
| Front glass: | Schott Nextrema, white (1-027-841) |
| Radiator element: | 750 W - ECO full spectrum (1-027-789) |

WIR-1300-R

| | |
|-------------------|------------------------------------|
| Dimensions: | L1 = 686 mm, L2 = 818 mm |
| Front glass: | Schott Nextrema, white (1-027-841) |
| Radiator element: | 1300 W - Vitae (1-027-835) |

ECO-350-R

| | |
|-------------------|---------------------------------------|
| Dimensions: | L1 = 523 mm, L2 = 658 mm |
| Front glass: | Glass ceramic, dark (1-030-969) |
| Radiator element: | 350 W - ECO full spectrum (1-027-783) |

ECO-500-R

| | |
|-------------------|---------------------------------------|
| Dimensions: | L1 = 686 mm, L2 = 818 mm |
| Front glass: | Glass ceramic, dark (1-030-968) |
| Radiator element: | 500 W - ECO full spectrum (1-027-786) |

ECO-750-R

| | |
|-------------------|---------------------------------------|
| Dimensions: | L1 = 686 mm, L2 = 818 mm |
| Front glass: | Glass ceramic, dark (1-030-968) |
| Radiator element: | 750 W - ECO full spectrum (1-027-789) |

ECO-350-G

| | |
|-------------------|--|
| Dimensions: | L1 = 523 mm, L2 = 658 mm |
| Front: | Metal grille, black fibre coated (1-027-791) |
| Radiator element: | 350 W - ECO full spectrum (1-027-783) |

ECO-500-G

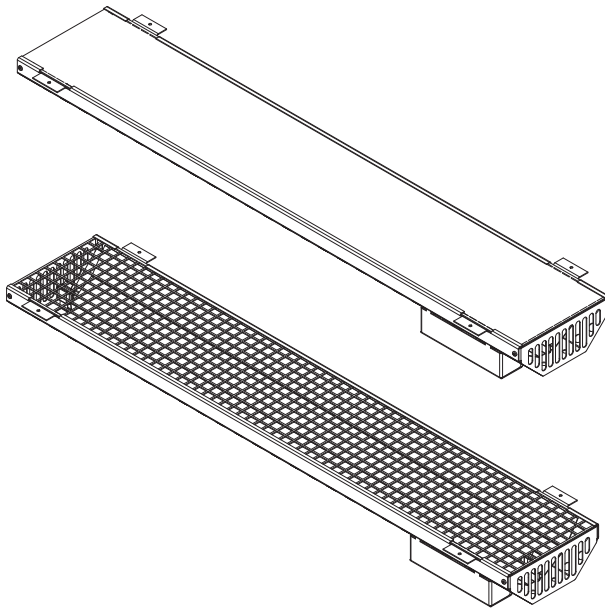
| | |
|-------------------|--|
| Dimensions: | L1 = 686 mm, L2 = 818 mm |
| Front: | Metal grille, black fibre coated (1-027-792) |
| Radiator element: | 500 W - ECO full spectrum (1-027-786) |

Vollspektrum-Strahler

VITAE 350 / 500 / 750 / 1300

ECO 350 / 500 / 750

MONTAGE- UND GEBRAUCHSANWEISUNG
Deutsch



DE

1-027-780 / DIR-350-R
1-027-781 / DIR-500-R
1-027-782 / DIR-750-R
1-027-779 / DIR-1300-R
1-027-785 / ECO-350-R
1-027-788 / ECO-500-R
1-027-790 / ECO-750-R

1-027-845 / WIR-350-R
1-027-846 / WIR-500-R
1-027-847 / WIR-750-R
1-027-844 / WIR-1300-R
1-027-784 / ECO-350-G
1-027-787 / ECO-500-G

Inhaltsverzeichnis

| | |
|---|-----------|
| 1. Zu dieser Anleitung | 3 |
| 2. Wichtige Hinweise zu Ihrer Sicherheit | 4 |
| 2.1. Bestimmungsgemäßer Gebrauch | 4 |
| 2.2. Sicherheitshinweise | 4 |
| 3. Produktbeschreibung | 7 |
| 3.1. Lieferumfang | 7 |
| 3.2. Produktfunktionen | 7 |
| 3.3. Optionales Zubehör | 7 |
| 4. Korrekte Platzierung | 8 |
| 5. Montage und Anschluss | 9 |
| 5.1. Sicherheitsabstände | 10 |
| 5.2. Montageausschnitt | 11 |
| 5.3. Einbau | 12 |
| 6. Reinigung und Wartung | 13 |
| 6.1. Reinigung | 13 |
| 6.2. Wartung | 13 |
| 7. Entsorgung | 13 |
| 8. Technische Daten | 14 |

1. Zu dieser Anleitung

Lesen Sie diese Montageanleitung gut durch und bewahren Sie sie in der Nähe der Infrarotstrahler auf. So können Sie jederzeit Informationen zu Ihrer Sicherheit und der Verwendung nachlesen.



Sie finden diese Montage- und Gebrauchsanweisung auch im Downloadbereich unserer Webseite auf www.sentiotec.com/downloads.

Symbole in Warnhinweisen

In dieser Montageanleitung ist vor Tätigkeiten, von denen eine Gefahr ausgeht, ein Warnhinweis angebracht. Befolgen Sie diese Warnhinweise unbedingt. So vermeiden Sie Sachschäden und Verletzungen, die im schlimmsten Fall sogar tödlich sein können.

In den Warnhinweisen werden Signalwörter verwendet, die folgende Bedeutungen haben:



GEFAHR!

Wenn Sie diesen Warnhinweis nicht beachten, sind Tod oder schwere Verletzungen die Folge.



WARNUNG!

Wenn Sie diesen Warnhinweis nicht beachten, können Tod oder schwere Verletzungen die Folge sein.



VORSICHT!

Wenn Sie diesen Warnhinweis nicht befolgen, können leichte Verletzungen die Folge sein.

ACHTUNG!

Dieses Signalwort warnt Sie vor Sachschäden.

Andere Symbole



Dieses Symbol kennzeichnet Tipps und nützliche Hinweise.



Nicht abdecken!



Bedienungsanleitung lesen

2. Wichtige Hinweise zu Ihrer Sicherheit

Der Infrarot-Strahler ist nach anerkannten sicherheitstechnischen Regeln gebaut. Dennoch können bei der Verwendung Gefahren entstehen. Befolgen Sie deshalb die folgenden Sicherheitshinweise und die speziellen Warnhinweise in den einzelnen Kapiteln.

2.1. Bestimmungsgemäßer Gebrauch

Der Infrarot-Strahler dient zur Erwärmung des menschlichen Körpers und/oder zur Erwärmung einer Infrarot-Kabine.

Der Infrarot-Strahler darf nur in Kombination mit einer Steuerung mit automatischer Heizzeitbegrenzung betrieben werden.

Jeder darüber hinausgehende Gebrauch gilt als nicht bestimmungsgemäß. Nicht bestimmungsgemäßer Gebrauch kann zur Beschädigung des Produkts, zu schweren Verletzungen oder Tod führen.

2.2. Sicherheitshinweise

- Die Montage der Klemmverbindungen darf nur durch eine Elektrofachkraft oder eine vergleichsweise qualifizierte Person ausgeführt werden.
- Die Montage der Steckverbindungen darf durch den Anwender ausgeführt werden.
- Montage- und Anschlussarbeiten der Infrarot-Strahler dürfen nur im spannungsfreien Zustand durchgeführt werden.
- Beachten Sie auch die örtlichen Bestimmungen am Aufstellort. Die Vorschriften nach EN 60335-2-53 (VDE 0700 Teil 53) sind zu beachten.

- Geben Sie acht, dass der Infrarot-Strahler keiner mechanischen Belastung ausgesetzt wird, dies führt zum Bruch. Strahler mit gebrochener Glasfront oder Strahlerelement dürfen nicht mehr benutzt werden. Das Glas oder das Strahlerelement muss getauscht werden (Artikelnummer siehe 8. Technische Daten auf Seite 14)
- Bei der Positionierung und dem Einbau des Infrarot-Strahlers müssen die minimalen Sicherheitsabstände eingehalten werden (siehe 5.2. Sicherheitsabstände auf Seite 10)
- Der Strahler erfüllt die Anforderungen gemäß IPX2. Für den spritzwassergeschützten Einbau, nach IPX4, ist eine Verblendung des Randes des Infrarot-Strahlers notwendig (z. Bsp.: Edelstahlblende, siehe 3.2. Optionales Zubehör auf Seite 7)
- Der Einbau der Strahler in ein Dampfbad ist nicht zulässig.
- Bei Problemen, die in der Gebrauchsanweisung nicht ausführlich genug behandelt werden, wenden Sie sich zu Ihrer eigenen Sicherheit an Ihren Lieferanten.
- Stellen Sie sicher, dass keine brennbaren Gegenstände auf oder vor dem Infrarot-Strahler hängen, bevor Sie die Infrarotsteuerung einschalten.
- Berühren Sie niemals das Glas des Infrarot-Strahlers während des Betriebs. Das Glas des Infrarot-Strahlers wird sehr heiß. Abhängig von der Benutzerfunktion ist ggf. die Montage eines Berührschutzes notwendig (z. Bsp.: Holzlehne, Schutzgitter, siehe 3.2. Optionales Zubehör auf Seite 7).
- Das Gerät darf nicht von Kindern unter 8 Jahren verwendet werden.

- Das Gerät darf von Kindern über 8 Jahren, von Personen mit verringerten psychischen, sensorischen oder mentalen Fähigkeiten und von Personen mit Mangel an Erfahrung und Wissen unter folgenden Bedingungen verwendet werden:
 - wenn sie beaufsichtigt werden.
 - wenn ihnen die sichere Verwendung gezeigt wurde und sie die Gefahren, die entstehen können, verstehen.
- Kinder dürfen nicht mit dem Gerät spielen.
- Kinder unter 14 Jahren dürfen das Gerät nur reinigen, wenn sie beaufsichtigt werden.
- Falls Sie zum Personenkreis mit eingeschränkter Wärmeempfindung gehören oder unter Auswirkungen von Alkoholgenuß, Medikamenten oder Drogen stehen, verzichten Sie aus gesundheitlichen Gründen auf die Infrarot-Bestrahlung.
- Falls ein andauerndes Erythem (bleibende Rötung der Haut für mehr als einen Tag) oder netzartige Farbveränderungen nach einer regelmäßigen Bestrahlung mit Infrarot bestehen bleiben, sollten die Bestrahlung nicht wiederholt werden und ein Arzt befragt werden, um die Entstehung eines Erythem ab igne zu verhindern.
- Es wird empfohlen, dass die Infrarot-Bestrahlung innerhalb von 24 Stunden nach einer UV-Bestrahlung durch eine künstliche Quelle oder durch ein Sonnenbad nicht benutzt wird.
- Personen, bei denen das Risiko einer Überhitzung besteht, wie beispielsweise bei Personen, die unter Herz-Kreislauf-Erkrankungen leiden, sollten im Zweifelsfall einen Arzt befragen, bevor sie eine Wärmekabine benutzen.
- Bei Problemen, die in der Gebrauchsanweisung nicht ausführlich genug behandelt werden, wenden Sie sich zu Ihrer eigenen Sicherheit an Ihren Lieferanten.

3. Produktbeschreibung

3.1. Lieferumfang

- IR-Strahler inkl. 3 m Anschlusskabel mit Stecker
- Montageanleitung

3.2. Produktfunktionen

Der Infrarot-Strahler verfügt über folgende Funktionen:

- Einbau als Rücken-, Front - oder Deckenstrahler
- Eigensicher durch Sicherheitstemperturbegrenzer
- Stufenlos dimmfähig
- Modelle mit Glas-Abdeckung bieten im eingebauten Zustand in Kombination mit Frontblende oder Holzlehne den Schutzgrad IPX4 (geeignet für Saunen)
- VITAE Vollspektrumstrahler Nextrema dunkel
Strahlungsintensität: A 24%, B 55%, C 21%
- Nextrema Vollspektrumstrahler weiß
Strahlungsintensität: A 9%, B 57%, C 34%
- ECO Vollspektrumstrahler mit Glas
Strahlungsintensität: A 24%, B 55%, C 21%
- ECO Vollspektrumstrahler mit Gitter
Strahlungsintensität: A 14%, B 40%, C 46 %

3.3. Optionales Zubehör

- Frontblende Edelstahl gebürstet
(350W/1-027-948, 500/750/1300W/1-027-779)
- Frontblende Edelstahl schwarz lackiert
(350W/1-027-905, 500/750/1300W/1-027-157)
- Schutzgitter (350/1-027-791, 500W/1-027-792)
- Ergonomische Rückenlehne (350/500W/514-L/A/D)
- Ergonomische Rückenlehne VitaMy (350W/1-039-182)
- Holzlehne Linde (350W/1-028-578, 500/750W/1-032-185)

- Holzlehne Prestige (350W/1-032-186, 500/750W/1-032-213)
- Infrarot-Verteiler (IR-1P2, IR-1P3, IR-1P5)
- Kabel für Verteiler (IR-1P2, IR-1P3, IR-1P5)
- Anschlussleitung für Verteiler (IR-IS-A03, IR-IS-A10, IR-IS-A25)

4. Korrekte Platzierung

Anwendung als:

- Rückenstrahler: 350W, 500W
- Frontstrahler: 350W, 500W, 750W
- Deckenstrahler: 750W, 1300W

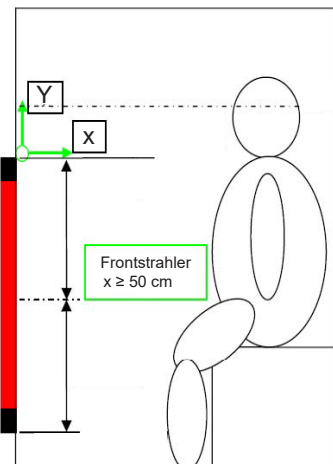
Gemäß EN 60335-2-53 darf in einer Infrarot-Wärmekabine die über einen Raster von 20 cm x 20 cm gemittelte Bestrahlungsstärke im Brust- und Rückenbereich einer Person den Wert von 1000 W m⁻² nicht überschreiten (es sei angemerkt, dass sich dieser Grenzwert auf die Vermeidung von Hitzestress bezieht).

Um sicherzustellen, dass dieser Grenzwert nicht überschritten wird, darf als Rückenstrahler nur ein 350W oder 500W Strahler eingesetzt werden. Weiter ist bei der Platzierung des Rückenstrahlers darauf zu achten, dass der Abstand Rücken zu Strahler nicht 4 cm unterschreiten darf.

Als Frontstrahler dürfen nur 350W, 500W oder 750W Strahler eingesetzt werden. Dabei ist zu beachten, dass der Mindestabstand zwischen Oberkörper und Frontstrahler nicht 50 cm unterschreiten darf (im Bild „x“).

Um die ICNIRP Grenzwerte für Langzeit-Grenzwert von 100 W/m² für „Infrarot Auge“ zu unterschreiten, müssen die Strahler nach unten versetzt werden (im Bild „Y“).

Detaillierte Angaben finden Sie im Gutachten LE-G18/3 und LE-G31/18 der Seibersdorf Laboratories.



5. Montage und Anschluss



WARNUNG!

Stromschlag-Gefahr

- Führen Sie Montage- und Anschlussarbeiten am Infrarot-Strahler nur im spannungsfreien Zustand durch.

- Der Strahler wird mit vormontiertem Stecker ausgeliefert. Die Montage der Steckverbindung darf auch durch den Anwender ausgeführt werden.
- Wird der Strahler bei einer Steuerung mittels Festmontage angeschlossen, entfernen Sie den Stecker. Die Montage der Klemmverbindung darf nur durch eine Elektrofachkraft oder eine vergleichsweise qualifizierte Person ausgeführt werden.
- Die Rückseite des Strahlers darf NICHT abgedeckt werden, damit die entstehende Wärme durch die Öffnungen entweichen kann.
- Die Lüftungsschlitze oben und unten dürfen NICHT abgedeckt werden (siehe **Abb. 3**)
- Für eine korrekte Funktion der Thermosicherung muss bei senkrechter Montage (z.B. Rückenstrahler) der Anschlusskasten des Strahlers oben sein (siehe **Abb. 4**).
- Halten Sie die minimalen Sicherheitsabstände zu leicht brennbaren Materialien ein (siehe **5.1. Sicherheitsabstände auf Seite 10**).

DE



Abb. 1: Lüftungsschlitze freilassen



Abb. 2: Position Anschlusskasten

5.1. Sicherheitsabstände

Beachten Sie die angegebenen minimalen Sicherheitsabstände und **Abb. 5**.

Infrarot-Strahler 350W, 500W

(DIR-350-R / DIR-500-R / WIR-350-R / WIR-500-R /
ECO-350-R / ECO-500-R / ECO-350-G / ECO-500-G)

bei senkrechter Montage:

B= 15 mm

F= 25 mm

bei waagrechter Montage:

B= 80 mm

F= 25 mm

Infrarot-Strahler 750W (DIR-750-R / WIR-750-R / ECO-750-R)

bei waagrechter Montage:

B= 100 mm

F= 150 mm

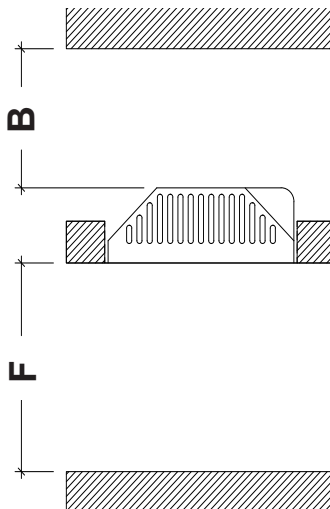
Infrarot-Strahler 1300W (DIR-1300-R / WIR-1300-R)

bei waagrechter Montage:

B= 150 mm

F= 200 mm

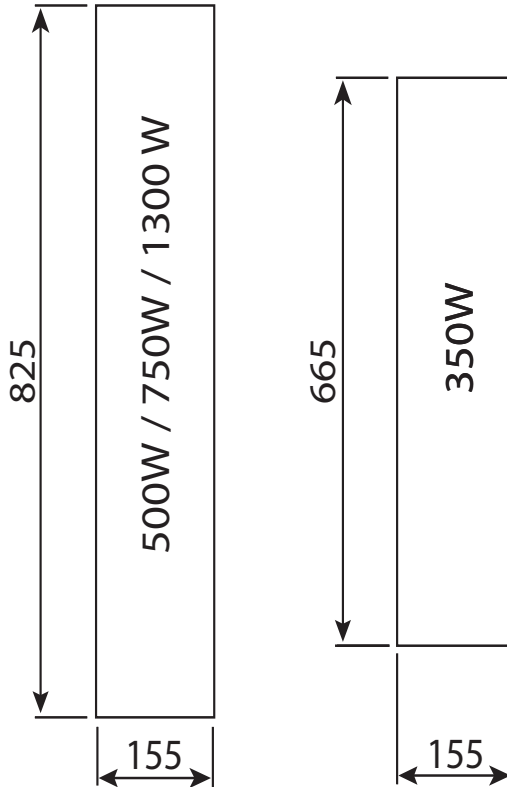
Abb. 3: Sicherheitsabstände Infrarot-Strahler



5.2. Montageausschnitt

Beachten Sie **Abb. 3** und **Abb. 6**.

Abb. 4: Montageausschnitte Infrarot-Strahler
Maße in mm



5.3. Einbau

Beachten Sie **Abb. 4** und **Abb. 7**.

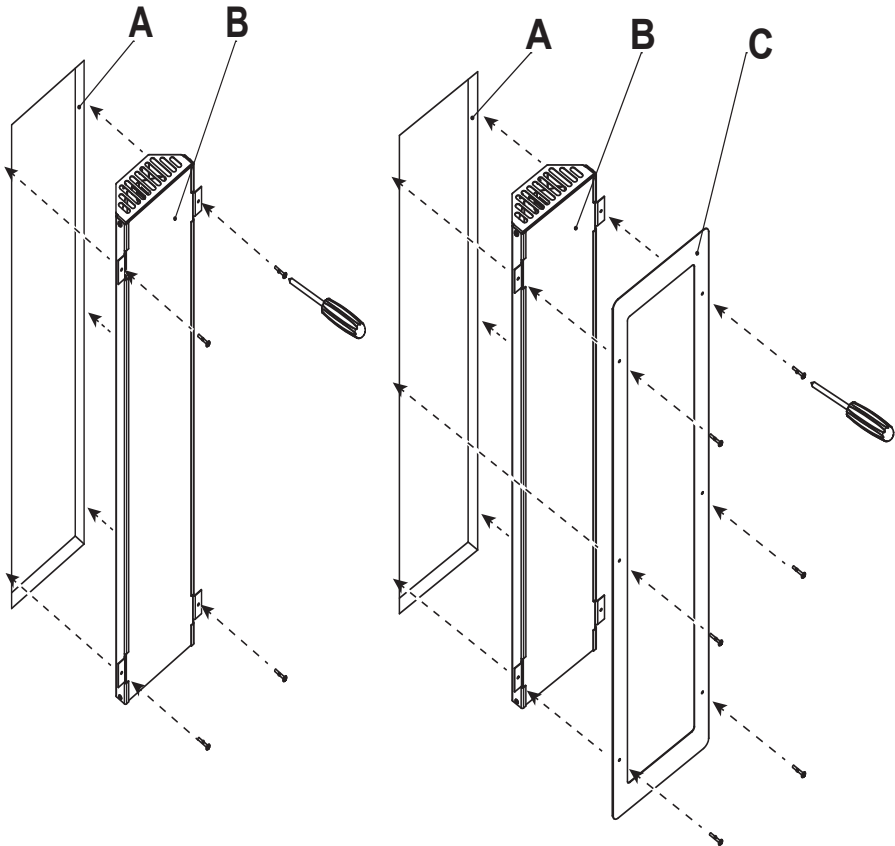


VORSICHT!

Achten Sie darauf, dass der Anschlusskasten des Strahlers auf der Oberseite ist!

Bei den Infrarot-Strahlern mit 1300W ist im Lieferumfang ein Brandschutzband enthalten. Kleben Sie dieses vor der Montage des Strahlers an die Außenkante des Ausschnittes (**siehe A in Abb. 7**)

Abb. 5: Montage Infrarot-Strahler ohne und mit optionaler Edelstahlblende



- A Ausschnitt Kabinenwand
- B Infrarot-Strahler
- C Edelstahlblende (optional)

6. Reinigung und Wartung

6.1. Reinigung

ACHTUNG!

Schäden am Gerät

Der Strahler ist spritzwassergeschützt, trotzdem kann direkter Kontakt mit Wasser das Gerät beschädigen.

- Tauchen Sie das Gerät NIEMALS in Wasser.
- Übergießen Sie das Gerät nicht mit Wasser.
- Reinigen Sie das Gerät nicht zu feucht.

1. Strahler ausschalten
2. Strahler abkühlen lassen
3. Wischen Sie das Glas vorsichtig mit einem feuchten Tuch ab.

6.2. Wartung

Der Infrarotstrahler ist wartungsfrei.

DE

7. Entsorgung

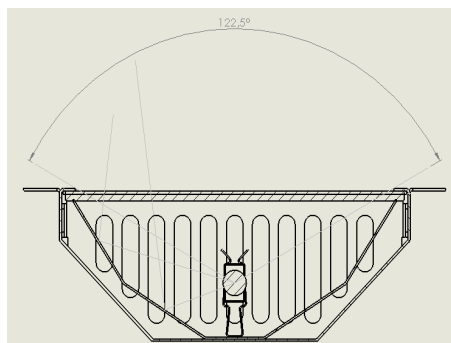
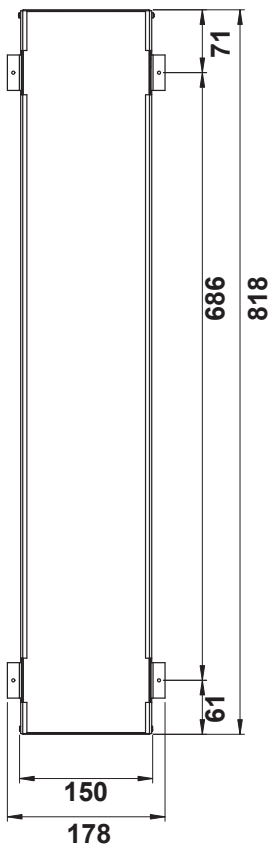


- Entsorgen Sie die Verpackungsmaterialien nach den gültigen Entsorgungsrichtlinien.
- Altgeräte enthalten wiederverwendbare Materialien, aber auch schädliche Stoffe. Geben Sie Ihr Altgerät deshalb auf keinen Fall in den Restmüll, sondern entsorgen Sie das Gerät nach den örtlich geltenden Vorschriften.

8. Technische Daten

Allgemein alle Strahler

| | |
|----------------------|---|
| Lagerbedingung: | -25°C bis +70°C |
| Umgebungstemperatur: | +10° C bis +140° C |
| Netzspannung: | 230V ~ 1N 50Hz |
| Thermosicherung: | 130° C |
| Schutzart: | IPX2 |
| Anschlusskabel: | 3 m - 3 x1,5 mm ² isoliert mit Stecker |
| Abstrahlwinkel: | 122,5° |



DIR-350-R

| | |
|------------------|------------------------------------|
| Abmessung: | L1=523mm, L2=658 mm |
| Frontglas: | Schott Nextrema dunkel (1-027-840) |
| Strahlerelement: | 350W - Vitae (1-027-836) |

DIR-500-R

| | |
|------------------|------------------------------------|
| Abmessung: | L1=686mm, L2=818 mm |
| Frontglas: | Schott Nextrema dunkel (1-027-839) |
| Strahlerelement: | 500W - Vitae (1-027-837) |

DIR-750-R

| | |
|------------------|------------------------------------|
| Abmessung: | L1=686mm, L2=818 mm |
| Frontglas: | Schott Nextrema dunkel (1-027-839) |
| Strahlerelement: | 750W - Vitae (1-027-838) |

DIR-1300-R

| | |
|------------------|------------------------------------|
| Abmessung: | L1=686mm, L2=818 mm |
| Frontglas: | Schott Nextrema dunkel (1-027-839) |
| Strahlerelement: | 1300W - Vitae (1-027-835) |

WIR-350-R

| | |
|------------------|-------------------------------------|
| Abmessung: | L1=523mm, L2=658 mm |
| Frontglas: | Schott Nextrema weiß (1-027-842) |
| Strahlerelement: | 350W - ECO Vollspektrum (1-027-783) |

WIR-500-R

| | |
|------------------|-------------------------------------|
| Abmessung: | L1=686mm, L2=818 mm |
| Frontglas: | Schott Nextrema weiß (1-027-841) |
| Strahlerelement: | 500W - ECO Vollspektrum (1-027-786) |

WIR-750-R

| | |
|------------------|-------------------------------------|
| Abmessung: | L1=686mm, L2=818 mm |
| Frontglas: | Schott Nextrema weiß (1-027-841) |
| Strahlerelement: | 750W - ECO Vollspektrum (1-027-789) |

WIR-1300-R

| | |
|------------------|----------------------------------|
| Abmessung: | L1=686mm, L2=818 mm |
| Frontglas: | Schott Nextrema weiß (1-027-841) |
| Strahlerelement: | 1300W - Vitae (1-027-835) |

ECO-350-R

| | |
|------------------|-------------------------------------|
| Abmessung: | L1=523mm, L2=658 mm |
| Frontglas: | Glas Keramik dunkel (1-030-969) |
| Strahlerelement: | 350W - ECO Vollspektrum (1-027-783) |

ECO-500-R

| | |
|------------------|-------------------------------------|
| Abmessung: | L1=686mm, L2=818 mm |
| Frontglas: | Glas Keramik dunkel (1-030-968) |
| Strahlerelement: | 500W - ECO Vollspektrum (1-027-786) |

ECO-750-R

| | |
|------------------|-------------------------------------|
| Abmessung: | L1=686mm, L2=818 mm |
| Frontglas: | Glas Keramik dunkel (1-030-968) |
| Strahlerelement: | 750W - ECO Vollspektrum (1-027-789) |

ECO-350-G

| | |
|------------------|--|
| Abmessung: | L1=523mm, L2=658 mm |
| Front: | Metallgitter schwarz befockt (1-027-791) |
| Strahlerelement: | 350W - ECO Vollspektrum (1-027-783) |

ECO-500-G

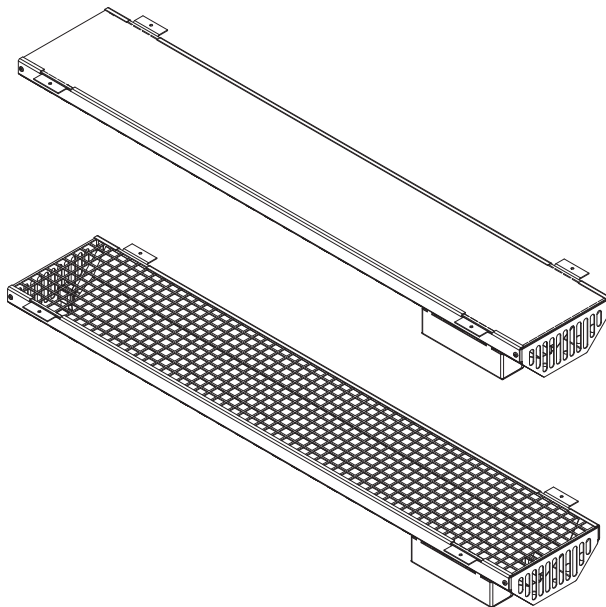
| | |
|------------------|--|
| Abmessung: | L1=686mm, L2=818 mm |
| Front: | Metallgitter schwarz befockt (1-027-792) |
| Strahlerelement: | 500W - ECO Vollspektrum (1-027-786) |

Émetteur à spectre complet

VITAE 350 / 500 / 750 / 1300

ECO 350 / 500 / 750

INSTRUCTIONS DE MONTAGE ET MODE D'EMPLOI
Français



FR

1-027-780 / DIR-350-R
1-027-781 / DIR-500-R
1-027-782 / DIR-750-R
1-027-779 / DIR-1300-R
1-027-785 / ECO-350-R
1-027-788 / ECO-500-R
1-027-790/ECO-750-R

1-027-845 / WIR-350-R
1-027-846 / WIR-500-R
1-027-847 / WIR-750-R
1-027-844 / WIR-1300-R
1-027-784 / ECO-350-G
1-027-787 / ECO-500-G

Table des matières

| | |
|---|-----------|
| 1. Concernant ces instructions | 3 |
| 2. Remarques importantes pour votre sécurité | 4 |
| 2.1. Usage conforme | 4 |
| 2.2. Consignes de sécurité | 4 |
| 3. Description du produit | 7 |
| 3.1. Contenu de la livraison | 7 |
| 3.2. Fonctions du produit | 7 |
| 3.3. Accessoires en option | 7 |
| 4. Placement correct | 8 |
| 5. Montage et raccordement | 9 |
| 5.1. Distances de sécurité | 10 |
| 5.2. Découpe de montage | 11 |
| 5.3. Encastré | 12 |
| 6. Nettoyage et entretien | 13 |
| 6.1. Nettoyage | 13 |
| 6.2. Entretien | 13 |
| 7. Élimination | 13 |
| 8. Caractéristiques techniques | 14 |

1. Concernant ces instructions

Lisez attentivement les présentes instructions de montage et gardez-les à proximité du radiateur infrarouge. Vous pouvez ainsi consulter à tout moment des informations concernant son utilisation et relatives à votre sécurité.



Ces instructions de montage et ce mode d'emploi sont également disponibles dans la rubrique de téléchargement de notre site Internet www.sentiotec.com/downloads.

Symboles d'avertissement

Dans les présentes instructions de montage, les activités représentant un danger sont précédées d'un avertissement. Conformez-vous impérativement à ces avertissements. Vous éviterez ainsi des dommages matériels et des blessures qui, dans le pire des cas, peuvent être mortelles.

Ces avertissements utilisent des termes clés qui ont la signification suivante :



DANGER !

Si vous ne respectez pas cet avertissement, il y a un risque de blessures graves, voire mortelles.



AVERTISSEMENT !

Si vous ne respectez pas cet avertissement, il y a un risque éventuel de blessures graves, voire mortelles.



PRUDENCE !

Si vous ne respectez pas cet avertissement, il y a un risque éventuel de blessures légères.

ATTENTION !

Ce terme clé vous avertit de dommages matériels éventuels.

Autres symboles



Ce symbole désigne les conseils et indications utiles.



Ne pas couvrir !



Lire le mode d'emploi

2. Remarques importantes pour votre sécurité

L'émetteur infrarouge est construit selon des règles techniques de sécurité reconnues. Cependant, des dangers peuvent survenir lors de l'utilisation. C'est pourquoi vous devez suivre les consignes de sécurité suivantes et les avertissements spécifiques des différents chapitres.

2.1. Usage conforme

L'émetteur infrarouge est utilisé pour chauffer le corps humain et/ou une cabine infrarouge.

L'émetteur infrarouge doit impérativement être utilisé en combinaison avec une commande avec limitation automatique de la durée de chauffage.

Toute autre utilisation est considérée comme un usage non conforme. Un usage non conforme peut endommager le produit et provoquer de graves blessures, voire la mort.

2.2. Consignes de sécurité

- Seul un électricien spécialisé ou une personne ayant une qualification similaire est habilité à procéder au montage des raccordements par serrage.
- Le montage des raccordements enfichables peut être effectué par l'utilisateur.
- Les travaux de montage et de raccordement du radiateur infrarouge doivent être effectués uniquement lorsque l'appareil est hors tension.
- Respectez également les dispositions légales du lieu d'installation. Respectez les prescriptions de la norme EN 60335-2-53 (VDE 0700 partie 53).

- Veillez à ce que le radiateur infrarouge ne soit soumis à aucune contrainte mécanique, celles-ci entraînant la rupture du radiateur. Les radiateurs dont la façade vitrée ou l'élément de radiateur est cassé ne peuvent plus être utilisés. La vitre ou l'élément de radiateur doit être remplacé (pour la référence, voir 8. Caractéristiques techniques à la page 14)
- Lors du positionnement et de l'installation du radiateur infrarouge, respectez les distances minimales de sécurité (voir 5.1. Distances de sécurité à la page 10)
- Le radiateur possède l'indice de protection IPX2. Pour une installation offrant l'indice de protection contre les projections d'eau IPX4, le bord du radiateur infrarouge doit être protégé par un cache (ex. : panneau en acier inoxydable, voir 3.3. Accessoires en option à la page 7)
- L'installation des radiateurs dans les bains de vapeur n'est pas autorisée.
- Pour votre sécurité, adressez-vous à votre fournisseur si le mode d'emploi ne traite pas exhaustivement de certains problèmes.
- Assurez-vous qu'aucun objet inflammable ne se trouve sur ou devant le radiateur infrarouge avant d'activer la commande infrarouge.
- Ne touchez jamais la vitre du radiateur infrarouge pendant le fonctionnement. La vitre du radiateur infrarouge chauffe beaucoup. Selon l'utilisateur, l'installation d'une protection contre le contact (ex. : dossier en bois, grille de protection, voir 3.3. Accessoires en option à la page 7) peut être nécessaire.
- L'appareil ne doit pas être utilisé par des enfants de moins de 8 ans.

- L'appareil peut être utilisé par des enfants de plus de 8 ans, par des personnes ayant des capacités psychiques, sensorielles ou mentales limitées et par des personnes manquant d'expérience et de connaissances aux conditions suivantes :
 - sous surveillance.
 - lorsque l'utilisation en toute sécurité leur a été montrée et qu'ils comprennent les dangers qui peuvent survenir.
- Les enfants ne doivent pas jouer avec l'appareil.
- Les enfants de moins de 14 ans peuvent nettoyer l'appareil uniquement s'ils sont surveillés.
- Si vous faites partie des personnes souffrant d'une insensibilité à la chaleur, ou si vous êtes sous l'influence de l'alcool, de médicaments ou de drogues, n'utilisez pas le rayonnement infrarouge pour des raisons de santé.
- En cas d'érythème persistant (rougeur permanente de la peau pendant plus d'un jour) ou de colorations réticulaires après une exposition régulière aux infrarouges, l'exposition ne doit pas être renouvelée et un médecin doit être consulté afin d'éviter le développement d'une dermite des chaufferettes.
- Il est recommandé de ne pas utiliser de rayonnement infrarouge pendant 24 heures après une exposition au rayonnement UV d'une source artificielle ou un bain de soleil.
- En cas de doute, les personnes présentant un risque d'échauffement excessif, telles que les personnes atteintes de maladies cardiovasculaires, doivent consulter un médecin avant d'utiliser une cabine chauffante.
- Pour votre sécurité, adressez-vous à votre fournisseur si le mode d'emploi ne traite pas exhaustivement de certains problèmes.

3. Description du produit

3.1. Contenu de la livraison

- Radiateur infrarouge, câble de connexion de 3 m avec connecteur
- Instructions de montage

3.2. Fonctions du produit

L'émetteur infrarouge offre les fonctions suivantes :

- Installation comme radiateur arrière, avant ou plafonnier
- Sécurité intrinsèque grâce à un limiteur de température de sécurité
- Réglage progressif
- Une fois installés en combinaison avec panneau frontal ou dossier en bois, les modèles avec vitre de protection possèdent l'indice de protection IPX4 (approprié pour les saunas)
- VITAE Radiateur à spectre complet Nextrema sombre
Intensité de rayonnement : A 24 %, B 55 %, C 21%
- Nextrema Radiateur à spectre complet blanc
Intensité de rayonnement : A 9%, B 57%, C 34%
- Radiateur à spectre complet ECO avec vitre
Intensité de rayonnement : A 24 %, B 55 %, C 21%
- Radiateur à spectre complet ECO avec grille
Intensité de rayonnement : A 14%, B 40%, C 46 %

3.3. Accessoires en option

- Panneau frontal en acier inoxydable brossé (350W/1-027-948, 500/750/1300W/1-027-779)
- Panneau avant en acier inoxydable peint en noir (350W/1-027-905, 500/750/1300W/1-027-157)
- Grille de protection (350/1-027-791, 500W/1-027-792)
- Dossier ergonomique (350/500W/514-L/A/D)
- Dossier ergonomique VitaMy (350W/1-039-182)

- Dossier en bois en tilleul (350W/1-028-578, 500/750W/1-032-185)
- Dossier en bois Prestige (350W/1-032-186, 500/750W/1-032-213)
- Distributeur infrarouge (IR-1P2, IR-1P3, IR-1P5)
- Câble pour distributeur (IR-1P2, IR-1P3, IR-1P5)
- Câble de raccordement pour distributeur (IR-IS-A03, IR-IS-A10, IR-IS-A25)

4. Placement correct

Utilisation en tant que:

- Radiateur arrière: 350 W, 500 W
- Radiateur avant: 350 W, 500 W, 750 W
- Plafonnier: 750 W, 1300 W

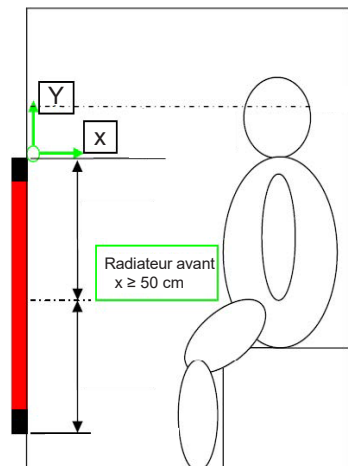
Conformément à la norme EN 60335-2-53, l'éclairage énergétique moyen sur une grille de 20 cm x 20 cm placée devant la poitrine ou dans le dos d'une personne dans une cabine infrarouge ne doit pas dépasser 1000 W/m² (il convient de noter que cette valeur limite se rapporte à la prévention du stress thermique).

Afin de garantir le non-dépassement de cette valeur limite, utilisez uniquement un radiateur de 350 ou 500 W comme radiateur arrière. En outre, lors du positionnement du radiateur arrière, veillez à ce que la distance entre le dos et le radiateur ne soit pas inférieure à 4 cm.

Utilisez uniquement un radiateur de 350, 500 ou 750 W comme radiateur avant. Veillez à ce que la distance minimale entre la poitrine et le radiateur avant ne soit pas inférieure à 50 cm (dans l'image „x“).

Afin de ne pas dépasser la valeur seuil de l'ICNIRP pour la valeur seuil à long terme de 100 W/m² relative à « l'œil infrarouge », les radiateurs doivent être orientés vers le bas (dans l'image „Y“).

Vous trouverez des informations détaillées dans les rapports LE-G18/3 et LE-G31/18 de Seibersdorf Laboratories.



5. Montage et raccordement



AVERTISSEMENT !

Risque d'électrocution

- Les travaux de montage et de raccordement du radiateur infrarouge doivent être effectués uniquement lorsque l'appareil est hors tension.

- Le radiateur est livré avec un connecteur prémonté. Le montage du connecteur de raccordement peut également être effectué par l'utilisateur.
- Si le radiateur est raccordé à la commande par une installation fixe, retirez le connecteur. Seul un électricien spécialisé ou une personne ayant une qualification similaire est habilité à procéder au montage du raccordement par serrage.
- L'arrière du radiateur ne doit PAS être couvert afin que la chaleur générée puisse s'échapper par les ouvertures.
- Les fentes d'aération situées en haut et en bas ne doivent PAS être couvertes (voir **Fig. 1**)
- Afin de garantir le bon fonctionnement du fusible thermique, le boîtier de raccordement du radiateur doit se situer en haut en cas de montage vertical (ex. : radiateur arrière) (voir **Fig. 14**).
- Respectez les distances minimales de sécurité par rapport aux matériaux facilement inflammables (voir **5.1. Distances de sécurité à la page 10**).



Fig. 1 : Ne pas couvrir les fentes d'aération



Fig. 2 : Position du boîtier de raccordement

5.1. Distances de sécurité

Respectez les distances minimales de sécurité spécifiées et la **Fig. 3**.

Émetteur infrarouge 350 W, 500 W

(DIR-350-R / DIR-500-R / WIR-350-R / WIR-500-R /
ECO-350-R / ECO-500-R / ECO-350-G / ECO-500-G)

Montage vertical :

B = 15 mm

F = 25 mm

Montage horizontal :

B = 80 mm

F = 25 mm

Émetteur infrarouge 750 W (DIR-750-R / WIR-750-R / ECO-750-R)

Montage horizontal :

B = 100 mm

F = 150 mm

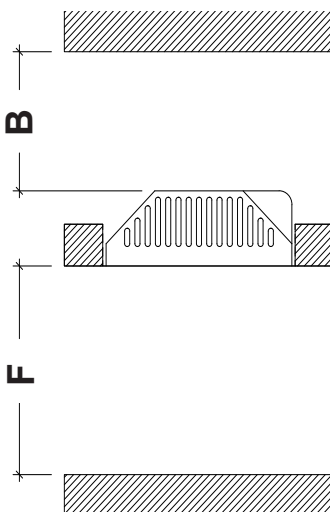
Émetteur infrarouge 1300 W (DIR-1300-R / WIR-1300-R)

Montage horizontal :

B = 150 mm

F = 200 mm

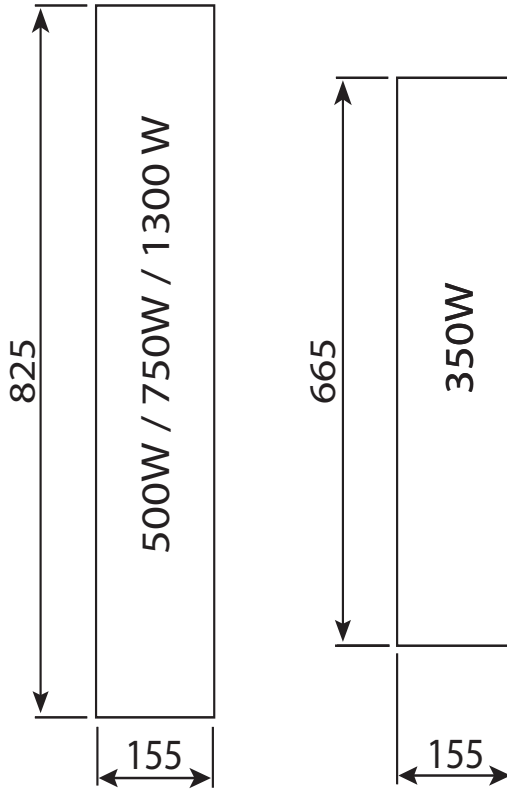
Fig. 3 : Distances de sécurité du radiateur infrarouge



5.2. Découpe de montage

Veuillez respecter la **Fig. 1** et la **Fig. 4**.

Fig. 4 : Découpes de montage du radiateur infrarouge
Dimensions en mm



5.3. Encastré

Veuillez respecter la **Fig. 2** et la **Fig. 5**.

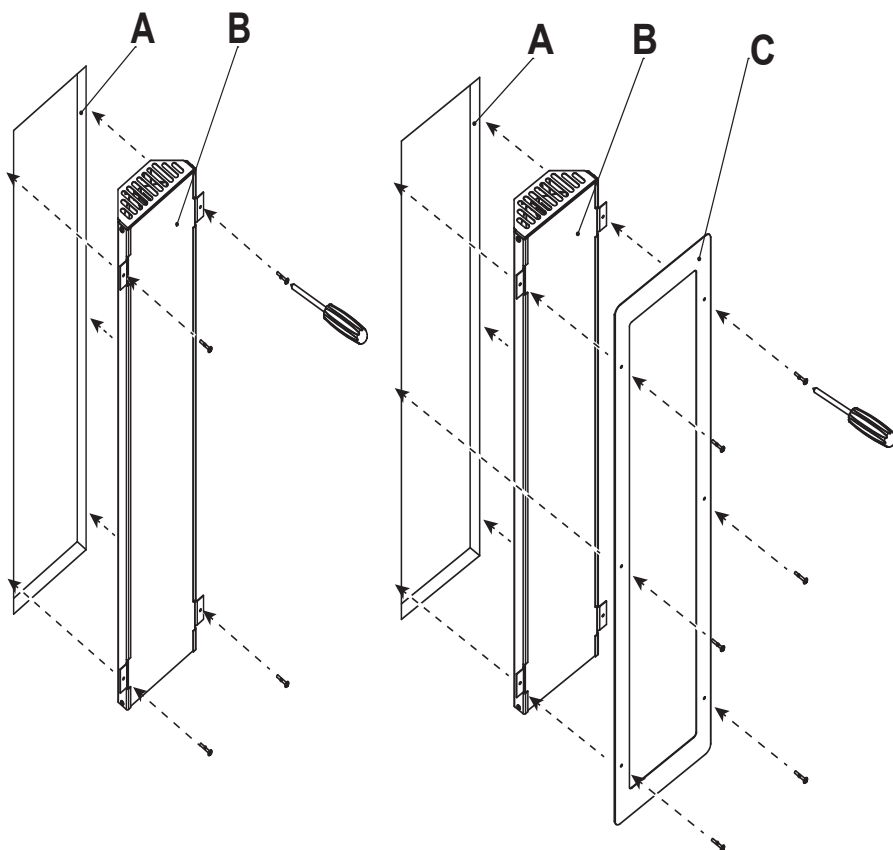


PRUDENCE !

Veuillez à ce que le boîtier de raccordement du radiateur se trouve sur la face supérieure !

L'émetteur infrarouges de 1300 W sont livrés avec une bande de protection contre l'incendie. Avant le montage du radiateur, collez cette bande de protection sur le bord extérieur de la découpe (**voir A sur la Fig. 5**)

Fig. 5 : Montage du radiateur infrarouge avec et sans panneau en acier inoxydable optionnel



- A Découpe de la paroi de la cabine
- B Émetteur infrarouge
- C Panneau en acier inoxydable (optionnel)

6. Nettoyage et entretien

6.1. Nettoyage

ATTENTION !

Endommagement de l'appareil

Le radiateur est protégé contre les projections d'eau. Néanmoins, un contact direct avec d'eau peut endommager l'appareil.

- Ne plongez JAMAIS l'appareil dans l'eau.
- Ne versez JAMAIS d'eau sur l'appareil.
- Ne nettoyez pas l'appareil avec trop d'eau.

1. Éteignez le radiateur
2. Laissez refroidir le radiateur
3. Nettoyez avec précaution la vitre avec un chiffon humide.

6.2. Entretien

Le radiateur infrarouge est sans entretien.

FR

7. Élimination

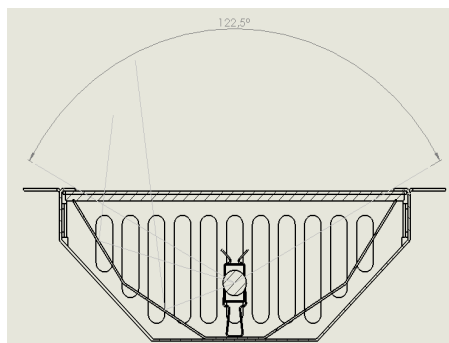
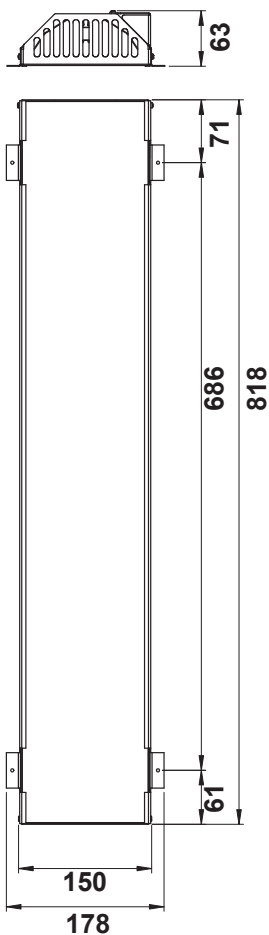


- Éliminez les matériaux d'emballage conformément aux directives en vigueur relatives à l'élimination.
- Les appareils usagés contiennent des matériaux recyclables, mais aussi des substances toxiques. Par conséquent, ne jetez en aucun cas votre appareil usagé avec les déchets ménagers. Éliminez-le conformément aux directives locales en vigueur.

8. Caractéristiques techniques

Générales – tous les radiateurs

| | |
|--------------------------|---|
| Conditions de stockage : | de -25 °C à +70 °C |
| Température ambiante : | de +10 °C à +140 °C |
| Tension secteur : | 230 V ~ 1N 50 Hz |
| Fusible thermique : | 130 °C |
| Indice de protection : | IPX2 |
| Câble de raccordement : | 3 m – 3 x 1,5 mm ² isolé avec connecteur |
| Angle de rayonnement : | 122,5° |



DIR-350-R

| | |
|------------------------|------------------------------------|
| Dimensions : | L1 = 523 mm, L2 = 658 mm |
| Façade vitrée : | Schott Nextrema sombre (1-027-840) |
| Élément de radiateur : | 350 W – Vitae (1-027-836) |

DIR-500-R

| | |
|------------------------|------------------------------------|
| Dimensions : | L1 = 686 mm, L2 = 818 mm |
| Façade vitrée : | Schott Nextrema sombre (1-027-839) |
| Élément de radiateur : | 500 W – Vitae (1-027-837) |

DIR-750-R

| | |
|------------------------|------------------------------------|
| Dimensions : | L1 = 686 mm, L2 = 818 mm |
| Façade vitrée : | Schott Nextrema sombre (1-027-839) |
| Élément de radiateur : | 750 W – Vitae (1-027-838) |

DIR-1300-R

| | |
|------------------------|------------------------------------|
| Dimensions : | L1 = 686 mm, L2 = 818 mm |
| Façade vitrée : | Schott Nextrema sombre (1-027-839) |
| Élément de radiateur : | 1300 W – Vitae (1-027-835) |

WIR-350-R

| | |
|------------------------|---|
| Dimensions : | L1 = 523 mm, L2 = 658 mm |
| Façade vitrée : | Schott Nextrema blanche (1-027-842) |
| Élément de radiateur : | 350 W – ECO à spectre complet (1-027-783) |

WIR-500-R

| | |
|------------------------|---|
| Dimensions : | L1 = 686 mm, L2 = 818 mm |
| Façade vitrée : | Schott Nextrema blanche (1-027-841) |
| Élément de radiateur : | 500 W – ECO à spectre complet (1-027-786) |

WIR-750-R

| | |
|------------------------|---|
| Dimensions : | L1 = 686 mm, L2 = 818 mm |
| Façade vitrée : | Schott Nextrema blanche (1-027-841) |
| Élément de radiateur : | 750 W – ECO à spectre complet (1-027-789) |

WIR-1300-R

| | |
|------------------------|-------------------------------------|
| Dimensions : | L1 = 686 mm, L2 = 818 mm |
| Façade vitrée : | Schott Nextrema blanche (1-027-841) |
| Élément de radiateur : | 1300 W – Vitae (1-027-835) |

ECO-350-R

| | |
|------------------------|---|
| Dimensions : | L1 = 523 mm, L2 = 658 mm |
| Façade vitrée : | Vitrocéramique sombre (1-030-969) |
| Élément de radiateur : | 350 W – ECO à spectre complet (1-027-783) |

ECO-500-R

| | |
|------------------------|---|
| Dimensions : | L1 = 686 mm, L2 = 818 mm |
| Façade vitrée : | Vitrocéramique sombre (1-030-968) |
| Élément de radiateur : | 500 W – ECO à spectre complet (1-027-786) |

ECO-750-R

| | |
|------------------------|---|
| Dimensions : | L1 = 686 mm, L2 = 818 mm |
| Façade vitrée : | Vitrocéramique sombre (1-030-968) |
| Élément de radiateur : | 750 W – ECO à spectre complet (1-027-789) |

ECO-350-G

| | |
|------------------------|--|
| Dimensions : | L1 = 523 mm, L2 = 658 mm |
| Façade : | Grille métallique floquée noir (1-027-791) |
| Élément de radiateur : | 350 W – ECO à spectre complet (1-027-783) |

ECO-500-G

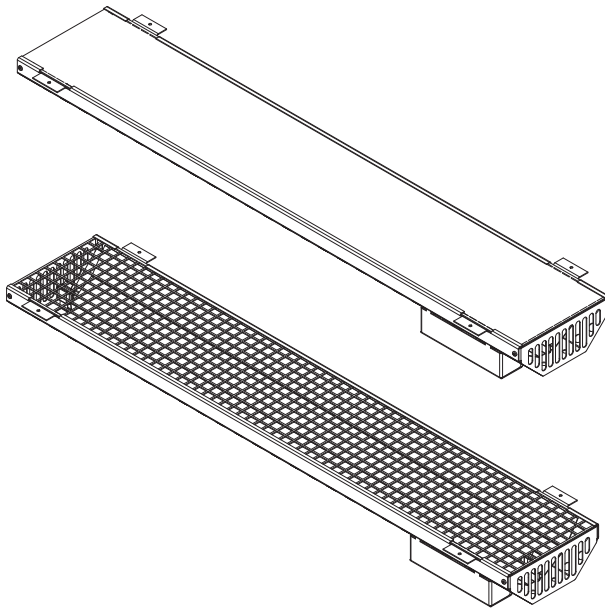
| | |
|------------------------|--|
| Dimensions : | L1 = 686 mm, L2 = 818 mm |
| Façade : | Grille métallique floquée noir (1-027-792) |
| Élément de radiateur : | 500 W – ECO à spectre complet (1-027-786) |

Irradiatori a spettro completo

VITAE 350 / 500 / 750 / 1300

ECO 350 / 500 / 750

ISTRUZIONI DI MONTAGGIO E PER L'USO
Italiano



IT

1-027-780 / DIR-350-R
1-027-781 / DIR-500-R
1-027-782 / DIR-750-R
1-027-779 / DIR-1300-R
1-027-785 / ECO-350-R
1-027-788 / ECO-500-R
1-027-790 / ECO-750-R

1-027-845 / WIR-350-R
1-027-846 / WIR-500-R
1-027-847 / WIR-750-R
1-027-844 / WIR-1300-R
1-027-784 / ECO-350-G
1-027-787 / ECO-500-G

Indice

| | |
|---|-----------|
| 1. Informazioni sul presente manuale | 3 |
| 2. Importanti indicazioni per la sicurezza personale | 4 |
| 2.1. Conformità d'uso | 4 |
| 2.2. Indicazioni di sicurezza | 4 |
| 3. Descrizione del prodotto | 7 |
| 3.1. Dotazione | 7 |
| 3.2. Funzioni del prodotto | 7 |
| 3.3. Accessori opzionali | 7 |
| 4. Posizionamento corretto | 8 |
| 5. Montaggio e collegamento | 9 |
| 5.1. Distanze di sicurezza | 10 |
| 5.2. Apertura per l'installazione | 11 |
| 5.3. Installazione | 12 |
| 6. Pulizia e manutenzione | 13 |
| 6.1. Pulizia | 13 |
| 6.2. Manutenzione | 13 |
| 7. Smaltimento | 13 |
| 8. Specifiche tecniche | 14 |

1. Informazioni sul presente manuale

Leggere con attenzione le presenti istruzioni di montaggio e conservarle in prossimità dell'irradiatore a infrarossi. In questo modo è possibile controllare in ogni momento le informazioni sulla sicurezza e sull'utilizzo.



Le presenti istruzioni di montaggio e d'uso si trovano anche nell'area di download della nostra pagina web all'indirizzo:
www.sentiotec.com/downloads.

Simboli nelle avvertenze

Nelle presenti istruzioni di montaggio, prima di ogni attività che genera un pericolo, è applicata un'avvertenza. Osservare sempre queste avvertenze. Così facendo, si evitano danni a beni materiali e lesioni che, nel peggiore dei casi, possono essere addirittura mortali.

Nelle avvertenze vengono utilizzati pittogrammi che hanno i seguenti significati:



PERICOLO!

L'inosservanza di questa avvertenza può causare lesioni gravi o addirittura mortali.



AVVERTENZA!

L'inosservanza di questa avvertenza può causare lesioni gravi o addirittura mortali.



ATTENZIONE!

L'inosservanza di questa avvertenza può causare lesioni lievi.

ATTENZIONE!

Questo pittogramma avverte della possibilità di danni a beni materiali.

Altri simboli



Questo simbolo indica consigli e indicazioni utili.



Non coprire!



Leggere il manuale di istruzioni

2. Importanti indicazioni per la sicurezza personale

L'irradiatore a infrarossi è costruito secondo le regole vigenti riconosciute per la sicurezza. Tuttavia, durante l'utilizzo possono presentarsi pericoli. Osservare pertanto le seguenti indicazioni di sicurezza e le avvertenze speciali riportate nei singoli capitoli.

2.1. Conformità d'uso

L'irradiatore a infrarossi viene utilizzato per riscaldare il corpo umano e/o per riscaldare una cabina a infrarossi.

L'irradiatore a infrarossi può essere utilizzato solo in combinazione con un sistema di comando dotato di limitazione automatica del tempo di riscaldamento.

Qualsiasi altro utilizzo è considerato improprio. Un utilizzo improprio può causare danni al prodotto e lesioni gravi o mortali.

2.2. Indicazioni di sicurezza

- Il montaggio dei collegamenti a morsetto deve essere eseguito da elettricisti specializzati o da persone con una qualifica simile.
- Il montaggio dei collegamenti a spina può essere eseguito dall'utente.
- I lavori di montaggio e di collegamento dell'irradiatore a infrarossi possono essere eseguiti solo in assenza di tensione.
- Osservare anche le disposizioni locali valide sul luogo di installazione. Osservare le disposizioni della norma EN 60335-2-53 (VDE 0700 parte 53).

- Fare attenzione che l'irradiatore a infrarossi non sia sottoposto ad alcuna sollecitazione meccanica, che provocherebbe la rottura. Gli irradiator con la parte anteriore in vetro o l'elemento radiante rotti non devono più essere utilizzati. Il vetro o l'elemento radiante devono essere sostituiti (per il numero di articolo vedi 8. Specifiche tecniche a pagina 14)
- Durante il posizionamento e l'installazione dell'irradiatore a infrarossi devono essere rispettate le distanze minime di sicurezza (vedi 5.1. Distanze di sicurezza a pagina 10)
- L'irradiatore soddisfa i requisiti di IPX2. Per un'installazione a prova di spruzzi d'acqua secondo IPX4, il bordo dell'irradiatore a infrarossi deve essere protetto da una copertura (ad es: copertura in acciaio inossidabile, vedi 3.3. Accessori opzionali a pagina 7)
- Non è consentita l'installazione degli irradiator in un bagno a vapore.
- Qualora si presentassero problemi non trattati in modo esaustivo nelle istruzioni per l'uso, per la vostra sicurezza, vi preghiamo di rivolgervi al vostro fornitore.
- Prima di accendere il comando dell'irradiatore, assicurarsi che davanti o sull'irradiatore a raggi infrarossi non siano appesi oggetti infiammabili.
- Non toccare mai il vetro dell'irradiatore a infrarossi durante il funzionamento. Il vetro dell'irradiatore a infrarossi diventa molto caldo. A seconda della funzione dell'utente, può essere necessario montare una protezione da contatto (ad es: schienale in legno, griglia di protezione, vedi 3.3. Accessori opzionali a pagina 7).
- Il dispositivo non deve essere utilizzato da bambini di età inferiore agli 8 anni.

- Questo dispositivo può essere utilizzato da bambini di età superiore a 8 anni, da persone con capacità fisiche, sensoriali o mentali limitate e prive di esperienza o delle necessarie conoscenze nel rispetto delle seguenti condizioni:
 - se sono in presenza di persone responsabili per loro;
 - se è stato spiegato loro come utilizzare l'apparecchio in modo sicuro e sono chiari i pericoli che ne possono derivare.
- Ai bambini non è permesso giocare con il dispositivo.
- I bambini al di sotto dei 14 anni possono pulire il dispositivo solo in presenza di adulti.
- Se si appartiene al gruppo di persone con una sensibilità al calore limitata o ci si trova sotto l'effetto del consumo di alcol, farmaci o droghe, non sottoporsi a irraggiamento a infrarossi per motivi di salute.
- Se dopo un irraggiamento a infrarossi regolare sussiste un eritema persistente (arrossamento permanente della pelle per più di un giorno) o alterazioni di colore di tipo reticolare, non ripetere l'irraggiamento e consultare un medico per prevenire lo sviluppo di un eritema ab igne.
- Si consiglia di non sottoporsi a irraggiamento a infrarossi entro 24 ore dopo un irraggiamento UV da una fonte artificiale o da un'esposizione al sole.
- Le persone per le quali sussiste un rischio di colpo di calore, come ad esempio le persone che soffrono di malattie cardiovascolari, devono consultare un medico in caso di dubbi prima di utilizzare una cabina termica.
- Qualora si presentassero problemi non trattati in modo esaustivo nelle istruzioni per l'uso, per la vostra sicurezza, vi preghiamo di rivolgervi al vostro fornitore.

3. Descrizione del prodotto

3.1. Dotazione

- Irradiatore a infrarossi incl. cavo di collegamento di 3 m con spina
- Istruzioni di montaggio

3.2. Funzioni del prodotto

L'irradiatore a infrarossi ha le seguenti funzioni:

- Installazione come irradiatore posteriore, anteriore o a soffitto
- Sicurezza intrinseca grazie a un limitatore di temperatura di sicurezza
- Adatto per regolazione continua dell'intensità
- I modelli con copertura in vetro offrono una protezione IPX4 (idonea per le saune) se installati in combinazione con copertura anteriore o schienale in legno
- VITAE Irradiatore a spettro completo scuro
Intensità delle radiazioni: A 24%, B 55%, C 21%
- Nextrema Irradiatore a spettro completo bianco
Intensità delle radiazioni: A 9%, B 57%, C 34%
- Irradiatore a spettro completo ECO con vetro
Intensità delle radiazioni: A 24%, B 55%, C 21%
- Irradiatore a spettro completo ECO con griglia
Intensità delle radiazioni: A 14%, B 40%, C 46 %

3.3. Accessori opzionali

- Copertura anteriore in acciaio inox spazzolato (350W/1-027-948, 500/750/1300W/1-027-779)
- Copertura anteriore in acciaio inox verniciato in nero (350W/1-027-905, 500/750/1300W/1-027-157)
- Griglia di protezione (350/1-027-791, 500W/1-027-792)
- Schienale ergonomico (350/500W/514-L/A/D)
- Schienale ergonomico VitaMy (350W/1-039-182)

- Schienale in legno diiglio (350W/1-028-578, 500/750W/1-032-185)
- Schienale in legno Prestige (350W/1-032-186, 500/750W/1-032-213)
- Ripartitore a infrarossi (IR-1P2, IR-1P3, IR-1P5)
- Cavo per ripartitore (IR-1P2, IR-1P3, IR-1P5)
- Cavo di collegamento per ripartitore (IR-IS-A03, IR-IS-A10, IR-IS-A25)

4. Posizionamento corretto

Applicazione come:

- Irradiatore posteriore: 350 W, 500 W
- Irradiatore anteriore: 350 W, 500 W, 750 W
- Irradiatore a soffitto: 750 W, 1300 W

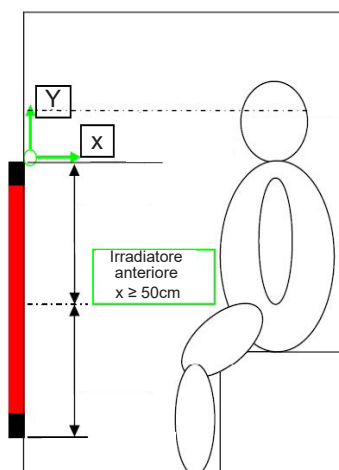
Secondo la norma EN 60335-2-53, l'irraggiamento medio nella zona toracica e dorsale di una persona in una cabina termica a infrarossi, mediato su una griglia di 20 cm x 20 cm, non deve superare il valore di 1000 W m⁻² (si noti che questo valore limite si riferisce alla prevenzione dello stress da calore).

Per garantire che questo valore limite non venga superato, è possibile utilizzare solo un irradiatore da 350 W o 500 W come irradiatore posteriore. Inoltre, quando si posiziona l'irradiatore posteriore, assicurarsi che la distanza tra la schiena e l'irradiatore non sia inferiore a 4 cm.

Utilizzare come irradiatori frontali solo irradiatori da 350 W, 500 W o 750 W. Assicurarsi che la distanza minima tra il torso e l'irradiatore anteriore non sia inferiore a 50 cm (nella foto "x").

Per scendere al di sotto dei valori limite IC-NIRP per il valore limite a lungo termine di 100 W/m² per "occhio infrarosso", gli irradiatori devono essere spostati verso il basso (nella foto „Y“).

Indicazioni dettagliate sono riportate nella perizia LE-G18/3 e LE-G31/18 di Seibersdorf Laboratories.



5. Montaggio e collegamento



AVVERTENZA!

Pericolo di scossa elettrica

- Eseguire i lavori di montaggio e collegamento sull'irradiatore a infrarossi solo in assenza di tensione.

- L'irradiatore viene fornito con spina premontata. Il montaggio dei collegamenti a spina può essere eseguito anche dall'utente.
- Se l'irradiatore viene collegato a un sistema di comando tramite montaggio fisso, rimuovere la spina. Il montaggio del collegamento a morsetto deve essere eseguito da elettricisti specializzati o da persone con una qualifica simile.
- La parte posteriore dell'irradiatore **NON** deve essere coperta in modo che il calore generato possa dissiparsi attraverso le aperture.
- Le fessure di ventilazione in alto e in basso **NON** devono essere coperte (vedi **Fig. 1**)
- Per il corretto funzionamento del fusibile termico, in caso di montaggio verticale (ad es. irradiatore posteriore) la morsettiera dell'irradiatore deve trovarsi in alto (vedi **Fig. 14**).
- Mantenere le distanze minime di sicurezza da materiali facilmente infiammabili (vedi **5.1. Distanze di sicurezza a pagina 10**).



Fig. 1: Lasciare libere le fessure di ventilazione



Fig. 2: Posizione morsettiera

5.1. Distanze di sicurezza

Osservare le distanze minime di sicurezza specificate e **Fig. 3**.

Irradiatore a infrarossi 350 W, 500 W

(DIR-350-R / DIR-500-R / WE-350-R / WE-500-R /
ECO-350-R / ECO-500-R / ECO-350-G / ECO-500-G)

per montaggio verticale:

B = 15 mm

F = 25 mm

per montaggio orizzontale:

B = 80 mm

F = 25 mm

Irradiatore a infrarossi 750 W (DIR-750-R / WIR-750-R / ECO-750-R)

per montaggio orizzontale:

B = 100 mm

F = 150 mm

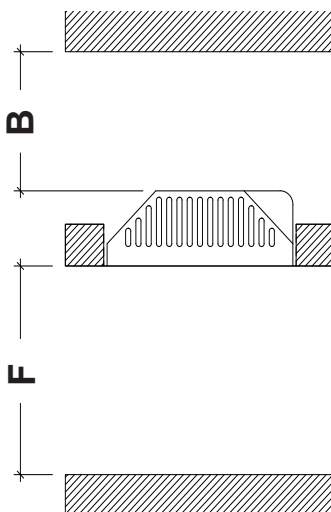
Irradiatore a infrarossi 1300 W (DIR-1300-R / WIR-1300-R)

per montaggio orizzontale:

B = 150 mm

F = 200 mm

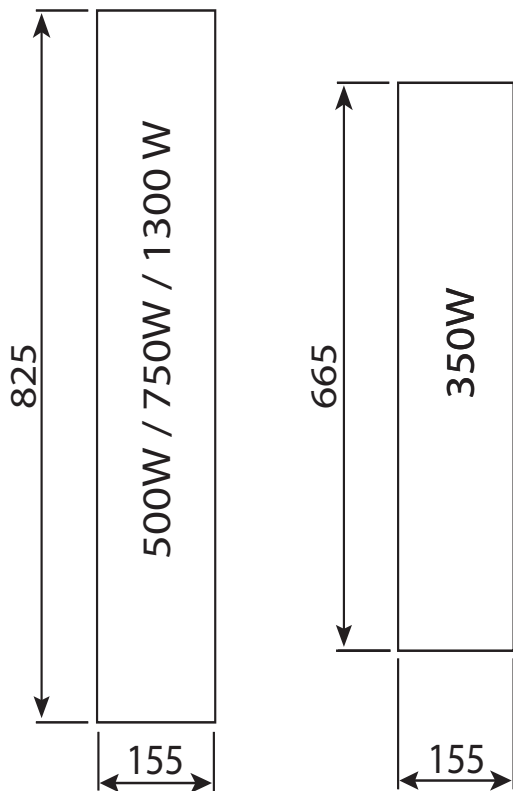
Fig. 3: Distanze di sicurezza irradiatore a infrarossi



5.2. Apertura per l'installazione

Osservare **Fig. 1** e **Fig. 4**.

Fig. 4: Aperture di montaggio irradiatore a infrarossi
Dimensioni in mm



5.3. Installazione

Osservare **Fig. 2** e **Fig. 5**.

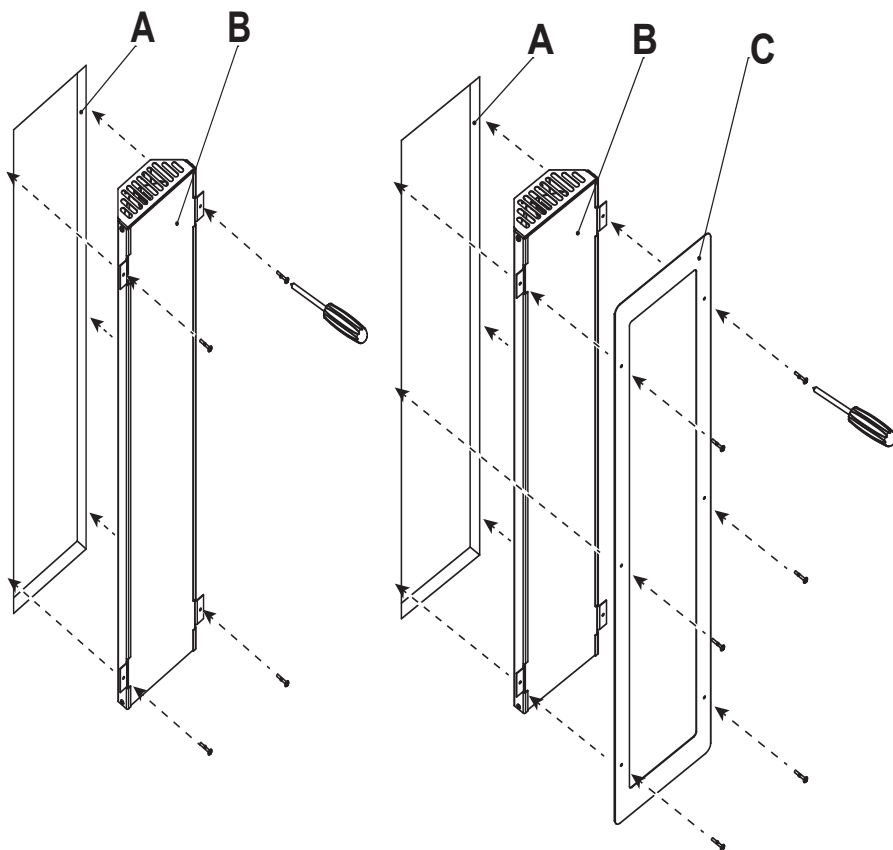


ATTENZIONE!

Assicurarsi che la morsettiera dell'irradiatore sia montata sul lato superiore!

I radiatori a infrarossi da 1300 W vengono forniti con un nastro di protezione antincendio in dotazione. Incollare questo nastro sul bordo esterno dell'apertura prima di montare il radiatore (**vedi A in Fig. 5**)

Fig. 5: Montaggio emettitore a infrarossi senza e con copertura in acciaio inossidabile opzionale



A Apertura nella parete della cabina

B Irradiatore a infrarossi

C Copertura in acciaio inossidabile (opzionale)

6. Pulizia e manutenzione

6.1. Pulizia

ATTENZIONE!

Danni all'apparecchio

L'irradiatore è protetto dagli spruzzi d'acqua, tuttavia il contatto diretto con l'acqua può danneggiare l'apparecchio.

- NON immergere MAI l'apparecchio in acqua.
- NON versare MAI acqua sull'apparecchio.
- NON pulire MAI l'apparecchio con un panno troppo inumidito.

1. Spegnerne l'irradiatore
2. Lasciare raffreddare l'irradiatore
3. Pulire l'alloggiamento con cautela usando un panno umido.

6.2. Manutenzione

L'irradiatore a infrarossi non richiede manutenzione.

7. Smaltimento

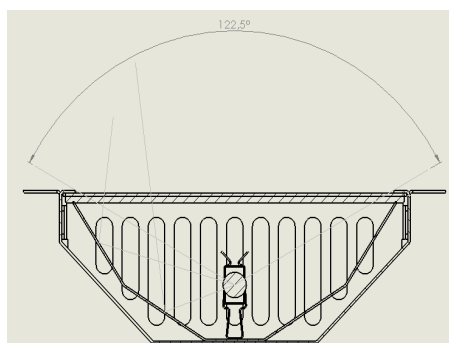
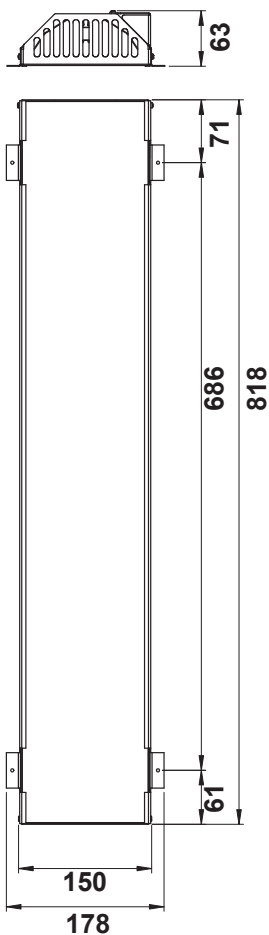


- Smaltire i materiali dell'imballaggio conformemente alle normative sullo smaltimento vigenti.
- I vecchi dispositivi contengono materiali riciclabili ma anche sostanze dannose. Non gettare mai un dispositivo usato insieme ai rifiuti non riciclabili, bensì smaltirlo in conformità alle norme vigenti a livello locale.

8. Specifiche tecniche

Informazioni generali per tutti gli irradiator

| | |
|------------------------------|---|
| Condizioni di conservazione: | da -25 °C a +70 °C |
| Temperatura ambiente: | da +10 °C a +140 °C |
| Tensione di rete: | 230 V ~ 1 N 50 Hz |
| Fusibile termico: | 130 °C |
| Tipo di protezione: | IPX2 |
| Cavo di collegamento: | 3 m - 3 x 1,5 mm ² isolato con spina |
| Angolo di irraggiamento: | 122,5° |



DIR-350-R

| | |
|--------------------|-----------------------------------|
| Dimensioni: | L1 = 523 mm, L2 = 658 mm |
| Vetro anteriore: | Schott Nextrema scuro (1-027-840) |
| Elemento radiante: | 350 W - Vitae (1-027-836) |

DIR-500-R

| | |
|--------------------|-----------------------------------|
| Dimensioni: | L1 = 686 mm, L2 = 818 mm |
| Vetro anteriore: | Schott Nextrema scuro (1-027-839) |
| Elemento radiante: | 500 W - Vitae (1-027-837) |

DIR-750-R

| | |
|--------------------|-----------------------------------|
| Dimensioni: | L1 = 686 mm, L2 = 818 mm |
| Vetro anteriore: | Schott Nextrema scuro (1-027-839) |
| Elemento radiante: | 750 W - Vitae (1-027-838) |

DIR-1300-R

| | |
|--------------------|-----------------------------------|
| Dimensioni: | L1 = 686 mm, L2 = 818 mm |
| Vetro anteriore: | Schott Nextrema scuro (1-027-839) |
| Elemento radiante: | 1300 W - Vitae (1-027-835) |

WIR-350-R

| | |
|--------------------|--|
| Dimensioni: | L1 = 523 mm, L2 = 658 mm |
| Vetro anteriore: | Schott Nextrema bianco (1-027-842) |
| Elemento radiante: | 350 W - ECO a spettro completo (1-027-783) |

WIR-500-R

| | |
|--------------------|--|
| Dimensioni: | L1 = 686 mm, L2 = 818 mm |
| Vetro anteriore: | Schott Nextrema bianco (1-027-841) |
| Elemento radiante: | 500 W - ECO a spettro completo (1-027-786) |

WIR-750-R

| | |
|--------------------|--|
| Dimensioni: | L1 = 686 mm, L2 = 818 mm |
| Vetro anteriore: | Schott Nextrema bianco (1-027-841) |
| Elemento radiante: | 750 W - ECO a spettro completo (1-027-789) |

WIR-1300-R

| | |
|--------------------|------------------------------------|
| Dimensioni: | L1 = 686 mm, L2 = 818 mm |
| Vetro anteriore: | Schott Nextrema bianco (1-027-841) |
| Elemento radiante: | 1300 W - Vitae (1-027-835) |

ECO-350-R

| | |
|--------------------|--|
| Dimensioni: | L1 = 523 mm, L2 = 658 mm |
| Vetro anteriore: | Vetroceramica scura (1-030-969) |
| Elemento radiante: | 350 W - ECO a spettro completo (1-027-783) |

ECO-500-R

| | |
|--------------------|--|
| Dimensioni: | L1 = 686 mm, L2 = 818 mm |
| Vetro anteriore: | Vetroceramica scura (1-030-968) |
| Elemento radiante: | 500 W - ECO a spettro completo (1-027-786) |

ECO-750-R

| | |
|--------------------|--|
| Dimensioni: | L1 = 686 mm, L2 = 818 mm |
| Vetro anteriore: | Vetroceramica scura (1-030-968) |
| Elemento radiante: | 750 W - ECO a spettro completo (1-027-789) |

ECO-350-G

| | |
|---------------------|---|
| Dimensioni: | L1 = 523 mm, L2 = 658 mm |
| Pannello anteriore: | griglia metallica nera floccata (1-027-791) |
| Elemento radiante: | 350 W - ECO a spettro completo (1-027-783) |

ECO-500-G

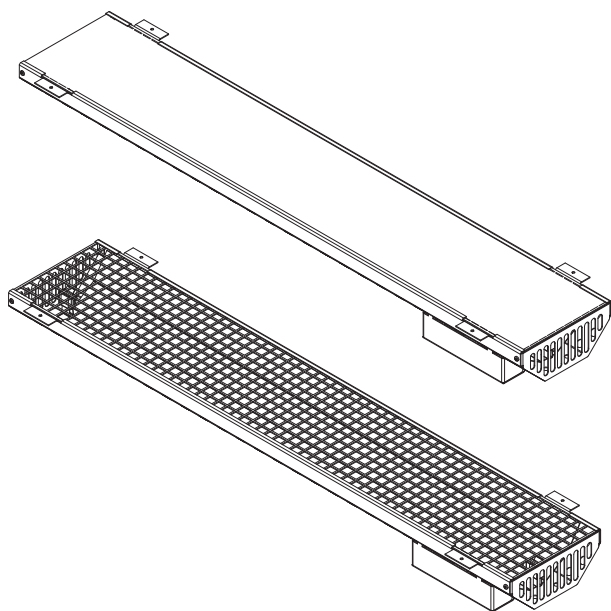
| | |
|---------------------|---|
| Dimensioni: | L1 = 686 mm, L2 = 818 mm |
| Pannello anteriore: | griglia metallica nera floccata (1-027-792) |
| Elemento radiante: | 500 W - ECO a spettro completo (1-027-786) |

Full spectrum straler

VITAE 350 / 500 / 750 / 1300

ECO 350 / 500 / 750

MONTAGE- EN GEBRUIKSAANWIJZING
Nederlands



NL

1-027-780 / DIR-350-R
1-027-781 / DIR-500-R
1-027-782 / DIR-750-R
1-027-779 / DIR-1300-R
1-027-785 / ECO-350-R
1-027-788 / ECO-500-R
1-027-790 / ECO-750-R

1-027-845 / WIR-350-R
1-027-846 / WIR-500-R
1-027-847 / WIR-750-R
1-027-844 / WIR-1300-R
1-027-784 / ECO-350-G
1-027-787 / ECO-500-G

Inhoudsopgave

| | |
|---|-----------|
| 1. Over deze handleiding | 3 |
| 2. Belangrijke aanwijzingen voor uw veiligheid | 4 |
| 2.1. Reglementair gebruik | 4 |
| 2.2. Veiligheidsaanwijzingen | 4 |
| 3. Productbeschrijving | 7 |
| 3.1. Leveromvang | 7 |
| 3.2. Productfuncties | 7 |
| 3.3. Optionele toebehoren | 7 |
| 4. Correcte plaatsing | 8 |
| 5. Montage en aansluiting | 9 |
| 5.1. Veiligheidsafstanden | 10 |
| 5.2. Montageuitsnede | 11 |
| 5.3. Inbouw | 12 |
| 6. Reiniging en onderhoud | 13 |
| 6.1. Reiniging | 13 |
| 6.2. Onderhoud | 13 |
| 7. Afvoer | 13 |
| 8. Technische gegevens | 14 |

1. Over deze handleiding

Lees de montagehandleiding goed door en bewaar deze in de buurt van de infraroodstraler. Zo kunt u te allen tijde informatie over uw veiligheid en het gebruik nalezen.



U vindt deze montage- en gebruiksaanwijzing ook in het downloadbereik van onze website www.sentiotec.com/downloads.

Symbolen in waarschuwingen

In deze montagehandleiding staat bij werkzaamheden die gevaarlijk kunnen zijn een waarschuwing. Neem deze waarschuwingen steeds in acht. Zo voorkomt u materiële schade, letsel en zelfs de dood.

In de waarschuwingen worden signaalwoorden gebruikt die de volgende betekenis hebben:



GEVAAR!

Als u deze waarschuwing niet in acht neemt, leidt dit tot ernstig letsel of de dood.



WAARSCHUWING!

Als u deze waarschuwing niet in acht neemt, kan dit leiden tot ernstig letsel of de dood.



VOORZICHTIG!

Als u deze waarschuwing niet opvolgt, kan dit leiden tot licht letsel.

LET OP!

Dit signaalwoord waarschuwt voor materiële schade.

Andere symbolen



Dit symbool duidt op tips en nuttige aanwijzingen.



Niet afdekken!



Bedieningshandleiding lezen

2. Belangrijke aanwijzingen voor uw veiligheid

De infraroodstraler is gebouwd volgens erkende veiligheidstechnische voorschriften. Toch kunnen bij het gebruik gevaren ontstaan. Neem daarom de volgende veiligheidsaanwijzingen en de speciale waarschuwingsaanwijzingen in de afzonderlijke hoofdstukken in acht.

2.1. Reglementair gebruik

De infraroodstraler dient voor het verwarmen van het menselijk lichaam en/of voor de verwarming van een infrarood-cabine.

De infraroodstraler mag alleen in combinatie met een besturing met automatische verwarmingstijdbegrenzing gebruikt worden.

Elk ander gebruik geldt als niet-reglementair. Niet-reglementair gebruik kan leiden tot productbeschadiging, ernstig letsel of de dood.

2.2. Veiligheidsaanwijzingen

- De montage van de klemverbindingen mag alleen door een elektricien of een vergelijkbaar gekwalificeerde persoon worden uitgevoerd.
- De montage van de stekkers mag door de gebruiker uitgevoerd worden.
- Montage- en aansluitwerkzaamheden aan de infraroodstraler mogen uitsluitend in stroomloze toestand worden uitgevoerd.
- Neem ook de plaatselijke bepalingen op de plaats van opstelling in acht. De voorschriften volgens EN 60335-2-53 (VDE 0700 Teil 53) moeten nageleefd worden.

- Let erop dat de infraroodstraler geen mechanische belasting ondervindt. Dit veroorzaakt breuk. Spots met gebroken glasfront of stralerelement mogen niet meer gebruikt worden. Het glas of het stralerelement moet vervangen worden (artikelnummer zie 8. Technische gegevens op pagina 14)
- Bij de positionering en de inbouw van de infraroodstraler moeten de minimale veiligheidsafstanden nageleefd worden (zie 5.1. Veiligheidsafstanden op pagina 10)
- De straler voldoet aan de eisen conform IPX2. Voor de spatwaterdichte inbouw conform IPX4 moet de rand van de infraroodstraler afgedekt worden (bijv.: Roestvrijstalen afdekking, zie 3.3. Optionele toebehoren op pagina 7)
- Het inbouwen van de straler in een stoombad is niet toegestaan.
- Raadpleeg in het geval van problemen die in de gebruiksaanwijzing niet uitvoerig genoeg worden behandeld in het belang van uw eigen veiligheid uw leverancier.
- Controleer of er geen brandbare voorwerpen op of voor de infraroodstraler liggen, voordat u de saunabesturing inschakelt.
- Raak het glas van de infraroodstraler tijdens het bedrijf nooit aan. Het glas van de infraroodstraler wordt zeer heet. Afhankelijk van de gebruikersfunctie is evt. de montage van een aanraakbeveiliging noodzakelijk (bijv.: Houten leuning, veiligheidsrooster, zie 3.3. Optionele toebehoren op pagina 7).
- Het apparaat mag niet door kinderen onder 8 jaar worden gebruikt.

- Het apparaat mag door kinderen boven 8 jaar, door personen met verminderde psychische, sensorische of mentale vaardigheden en door personen met gebrek aan ervaring en kennis worden gebruikt, mits:
 - onder toezicht.
 - indien veilig gebruik werd gedemonstreerd en ze de gevaren die kunnen ontstaan, begrijpen.
- Kinderen mogen niet met het apparaat spelen.
- Kinderen onder 14 jaar mogen het apparaat alleen onder toezicht reinigen.
- Als u een persoon bent met verminderde warmtegevoeligheid of onder invloed van alcohol, medicijnen of drugs staat, maak dan ter bescherming van uw gezondheid geen gebruik van de infraroodbestraling.
- Als er een blijvend erytheem (blijvende rode kleurverandering van de huid die langer dan een dag duurt) of netachtige kleurveranderingen na een regelmatige bestraling met infraroodlicht blijven bestaan, mag de bestraling niet herhaald worden en moet een arts geraadpleegd worden om het ontstaan van een erytheem ab igne te voorkomen.
- Het wordt aanbevolen dat de infraroodbestraling binnen 24 uur na een uv-bestraling door een kunstmatige bron of door een zonnebad niet gebruikt wordt.
- Personen bij wie het risico op oververhitting bestaat, bijvoorbeeld personen die hart- en vaatziekten hebben, moeten in geval van twijfel een arts raadplegen voordat ze een warmtecabine gebruiken.
- Raadpleeg in het geval van problemen die in de gebruiksaanwijzing niet uitvoerig genoeg worden behandeld in het belang van uw eigen veiligheid uw leverancier.

3. Productbeschrijving

3.1. Leveromvang

- IR-straler incl. 3 m aansluitkabel met stekker
- Montagehandleiding

3.2. Productfuncties

De infraroodstraler heeft de volgende functies:

- Montage als rug-, front- of plafondstraler
- Veilig door veiligheidstemperatuurbegrenzing
- Traploos dimbaar
- Modellen met glazen afdekking bieden in ingebouwde toestand in combinatie met frontafdekking of houten leuning de beschermingsgraad IPX4 (geschikt voor sauna's)
- VITAE full spectrum straler Nextrema donker
Stralingsintensiteit: A 24%, B 55%, C 21%
- Nextrema full spectrum straler wit
Stralingsintensiteit: A 9%, B 57%, C 34%
- ECO full spectrum straler met Glas
Stralingsintensiteit: A 24%, B 55%, C 21%
- ECO full spectrum straler met Rooster
Stralingsintensiteit: A 14%, B 40%, C 46%

3.3. Optionele toebehoren

- Frontafdekking roestvrij geborsteld
(350W/1-027-948, 500/750/1300W/1-027-779)
- Frontafdekking roestvrij zwart gelakt
(350W/1-027-905, 500/750/1300W/1-027-157)
- Veiligheidsrooster (350/1-027-791, 500W/1-027-792)
- Ergonomische rugleuning (350/500W/514-L/A/D)
- Ergonomische rugleuning VitaMy (350W/1-039-182)

- Houten leuning Linde (350W/1-028-578, 500/750W/1-032-185)
- Houten leuning Prestige (350W/1-032-186, 500/750W/1-032-213)
- Infrarot-verdeler (IR-1P2, IR-1P3, IR-1P5)
- Kabel voor verdeler (IR-1P2, IR-1P3, IR-1P5)
- Aansluitkabel voor verdeler (IR-IS-A03, IR-IS-A10, IR-IS-A25)

4. Correcte plaatsing

Gebruik als:

- Rugstraler: 350 W, 500 W
- Frontstraler: 350 W, 500 W, 750 W
- Plafondstraler: 750 W, 1300 W

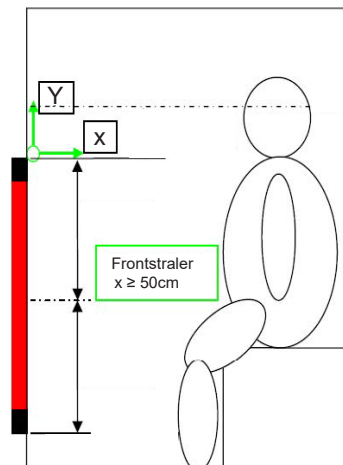
Conform EN 60335-2-53 mag in een infrarood-warmtecabine die via een raster van 20 cm x 20 cm gemiddelde bestralingssterkte in de borst- en rugzone van een persoon de waarde van 1000 W m⁻² niet overschrijden (hierbij wordt aange-merkt dat deze grenswaarde betrekking heeft op het vermijden van hittestress).

Om ervoor te zorgen dat deze grenswaarde niet overschreden wordt, mag als rugstraler slechts een 350 W of 500 W straler ingezet worden. Verder dient u er bij het plaatsen van de rugstraler op te letten dat de afstand van de rug tot de straler niet minder dan 4 cm mag zijn.

Als frontstraler mogen alleen 350 W, 500 W of 750 W stralers ingezet worden. Hierbij moet u erop letten dat de minimale afstand tussen het bovenlichaam en de frontstraler niet minder dan 50 cm mag zijn (op de afbeelding "x").

Om onder de ICNIRP-grenswaarden voor de langdurige grenswaarde van 100 W/m² voor "infrarood oog" te komen, moeten de stralers naar beneden verplaatst worden (op de afbeelding „Y“).

Gedetailleerde informatie vindt u in het rapport LE-G18/3 en LE-G31/18 van de Seibersdorf Laboratories.



5. Montage en aansluiting



WAARSCHUWING!

Gevaar voor elektrische schok

- Voer de montage- en aansluitwerkzaamheden aan de infraroodstraler alleen in stroomloze toestand uit.

- De straler wordt met voorgemonteerde stekker geleverd. De montage van de stekkers mag ook door de gebruiker uitgevoerd worden.
- Als de straler bij een besturing met vaste montage aangesloten wordt, verwijder dan de stekker. De montage van de klemverbindingen mag alleen door een elektricien of een vergelijkbaar gekwalificeerde persoon worden uitgevoerd.
- De achterkant van de straler mag NIET afgedekt worden, omdat de optredende warmte door de openingen moet ontwijken.
- De ventilatiesleuven boven en beneden mogen NIET afgedekt worden (zie **Afb. 1**)
- Voor een correcte werking van de thermische beveiliging moet bij verticale montage (bijv. rugstraler) de aansluitdoos van de straler boven zijn (zie **Afb. 14**).
- Houd u aan de minimale veiligheidsafstanden tot licht brandbare materialen (zie **5.1. Veiligheidsafstanden op pagina 10**).



Afb. 1: Ventilatiesleuven vrij laten



Afb. 2: Positie aansluitdoos

5.1. Veiligheidsafstanden

Houd u aan de aangegeven minimale veiligheidsafstanden en **Afb. 3**.

Infraroodstraler 350 W, 500 W

(DIR-350-R / DIR-500-R / WIR-350-R / WIR-500-R /
ECO-350-R / ECO-500-R / ECO-350-G / ECO-500-G)

bij verticale montage:

B = 15 mm

F = 25 mm

bij horizontale montage:

B = 80 mm

F = 25 mm

Infraroodstraler 750 W (DIR-750-R / WIR-750-R / ECO-750-R)

bij horizontale montage:

B = 100 mm

F = 150 mm

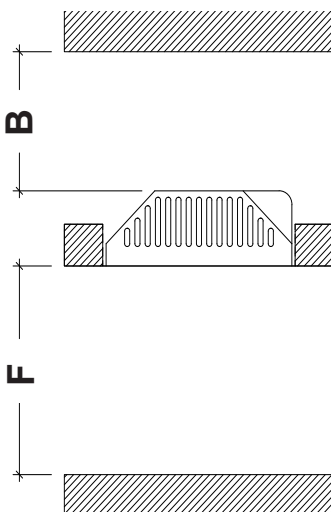
Infraroodstraler 1300 W (DIR-1300-R / WIR-1300-R)

bij horizontale montage:

B = 150 mm

F = 200 mm

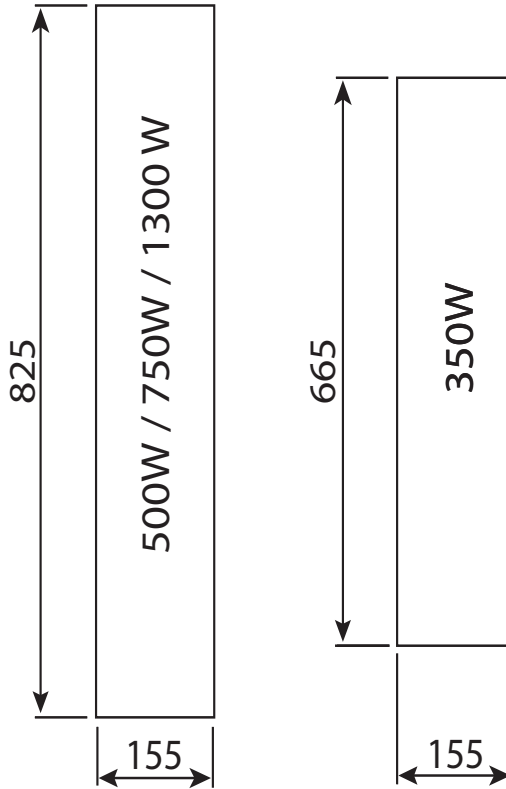
Afb. 3: Veiligheidsafstanden infraroodstraler



5.2. Montageuitsnede

Let op **Afb. 1** en **Afb. 4**.

Afb. 4: Montageuitsneden infraroodstraler
Afmetingen in mm



5.3. Inbouw

Let op **Afb. 2** en **Afb. 5**.

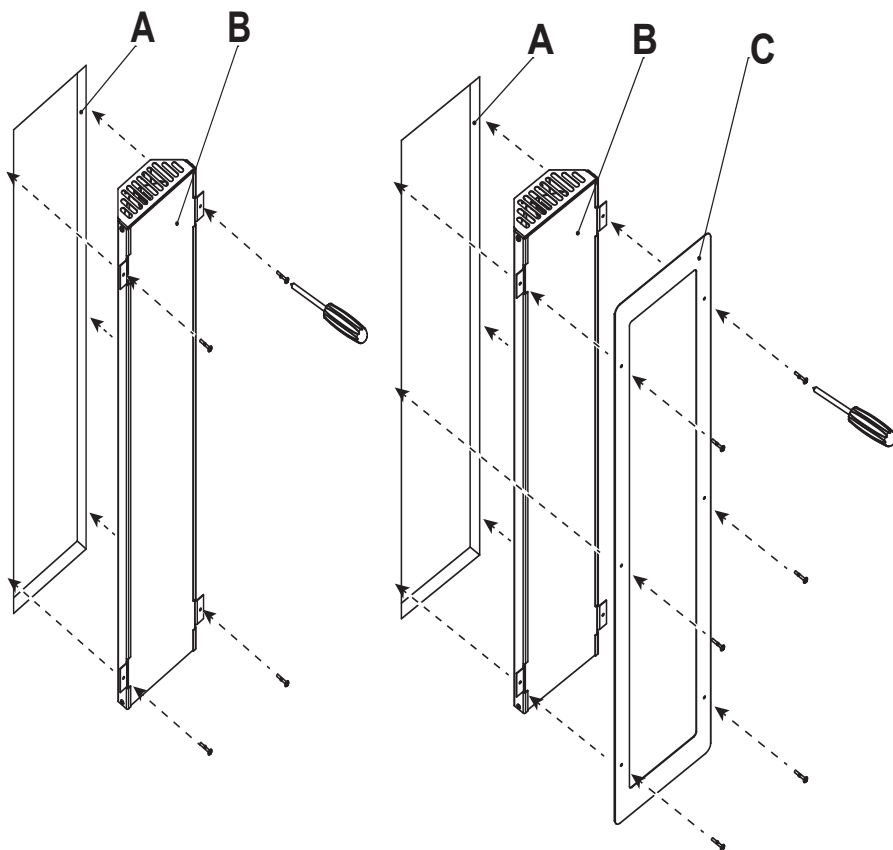


VOORZICHTIG!

Zorg ervoor dat de aansluitdoos van de straler aan de bovenzijde is!

Bij de infraroodstralers met 1300 W is een brandbeveiligingsband in de leveringsomvang inbegrepen. Plak deze voor de montage van de straler aan de buitenkant van de uitsnede (**zie A in Afb. 5**)

Afb. 5: Montage van de infraroodstraler zonder en met optionele roestvrijstalen afdekking



A Uitsnede cabinewand

B Infraroodstraler

C Roestvrijstalen afdekking (optioneel)

6. Reiniging en onderhoud

6.1. Reiniging

LET OP!

Schade aan het apparaat

De straler is spatwaterdicht. Toch kan rechtstreeks contact met water het apparaat beschadigen.

- Dompel het apparaat NOOIT onder in water.
- Giet geen water over het apparaat.
- Reinig het apparaat niet te nat.

1. Straler uitschakelen
2. Straler laten afkoelen
3. Neem het glas voorzichtig af met een vochtige doek.

6.2. Onderhoud

De infraroodstraler is onderhoudsvrij.

7. Afvoer

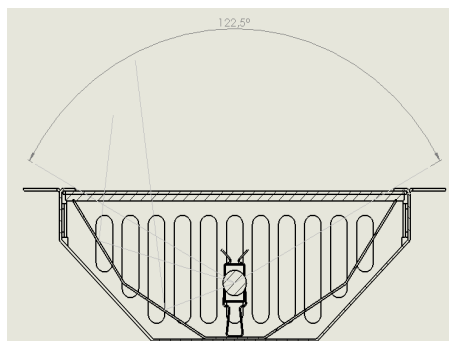
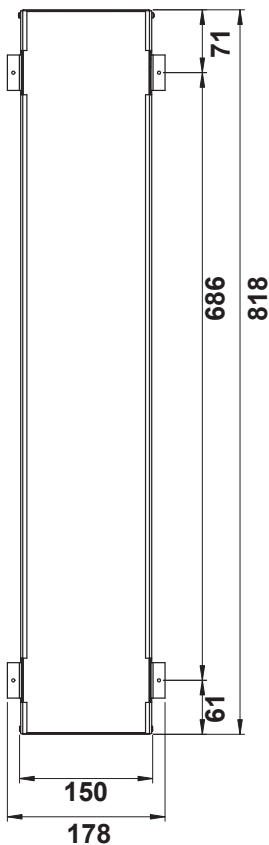


- Voer het verpakkingsmateriaal af volgens de geldende afvoer-richtlijnen.
- Oude apparaten bevatten opnieuw bruikbare materialen maar ook schadelijke stoffen. Deponeer uw oude apparaat daarom in geen geval bij het gewone afval, maar voer het apparaat af volgens de plaatselijk geldende voorschriften.

8. Technische gegevens

Algemeen alle stralers

| | |
|-----------------------|---|
| Opslagvoorwaarden: | -25 °C tot +70 °C |
| Omgevingstemperatuur: | +10 °C bis +140 °C |
| Netspanning: | 230 V ~ 1N 50 Hz |
| Thermobeveiliging: | 130 °C |
| IP-code: | IPX2 |
| Aansluitkabel: | 3 m - 3 x1,5 mm ² geïsoleerd met stekker |
| Afstraalhoek: | 122,5° |



DIR-350-R

| | |
|-----------------|------------------------------------|
| Afmetingen: | L1 = 523mm, L2 = 658 mm |
| Frontglas: | Schott Nextrema donker (1-027-840) |
| Stralerelement: | 350 W - Vitae (1-027-836) |

DIR-500-R

| | |
|-----------------|------------------------------------|
| Afmetingen: | L1 = 686mm, L2 = 818 mm |
| Frontglas: | Schott Nextrema donker (1-027-839) |
| Stralerelement: | 500 W - Vitae (1-027-837) |

DIR-750-R

| | |
|-----------------|------------------------------------|
| Afmetingen: | L1 = 686 mm, L2 = 818 mm |
| Frontglas: | Schott Nextrema donker (1-027-839) |
| Stralerelement: | 750 W - Vitae (1-027-838) |

DIR-1300-R

| | |
|-----------------|------------------------------------|
| Afmetingen: | L1 = 686 mm, L2 = 818 mm |
| Frontglas: | Schott Nextrema donker (1-027-839) |
| Stralerelement: | 1300 W - Vitae (1-027-835) |

WIR-350-R

| | |
|-----------------|---------------------------------------|
| Afmetingen: | L1 = 523 mm, L2 = 658 mm |
| Frontglas: | Schott Nextrema wit (1-027-842) |
| Stralerelement: | 350 W - ECO full spectrum (1-027-783) |

WIR-500-R

| | |
|-----------------|---------------------------------------|
| Afmetingen: | L1 = 686 mm, L2 = 818 mm |
| Frontglas: | Schott Nextrema wit (1-027-841) |
| Stralerelement: | 500 W - ECO full spectrum (1-027-786) |

WIR-750-R

| | |
|-----------------|---------------------------------------|
| Afmetingen: | L1 = 686 mm, L2 = 818 mm |
| Frontglas: | Schott Nextrema wit (1-027-841) |
| Stralerelement: | 750 W - ECO full spectrum (1-027-789) |

WIR-1300-R

| | |
|-----------------|---------------------------------|
| Afmetingen: | L1 = 686 mm, L2 = 818 mm |
| Frontglas: | Schott Nextrema wit (1-027-841) |
| Stralerelement: | 1300 W - Vitae (1-027-835) |

ECO-350-R

| | |
|-----------------|---------------------------------------|
| Afmetingen: | L1 = 523 mm, L2 = 658 mm |
| Frontglas: | Glas keramiek donker (1-030-969) |
| Stralerelement: | 350 W - ECO full spectrum (1-027-783) |

ECO-500-R

| | |
|-----------------|---------------------------------------|
| Afmetingen: | L1 = 686 mm, L2 = 818 mm |
| Frontglas: | Glas keramiek donker (1-030-968) |
| Stralerelement: | 500 W - ECO full spectrum (1-027-786) |

ECO-750-R

| | |
|-----------------|---------------------------------------|
| Afmetingen: | L1 = 686 mm, L2 = 818 mm |
| Frontglas: | Glas keramiek donker (1-030-968) |
| Stralerelement: | 750 W - ECO full spectrum (1-027-789) |

ECO-350-G

| | |
|-----------------|---|
| Afmetingen: | L1 = 523 mm, L2 = 658 mm |
| Front: | Metalen rooster zwart bedrukt (1-027-791) |
| Stralerelement: | 350 W - ECO full spectrum (1-027-783) |

ECO-500-G

| | |
|-----------------|---|
| Afmetingen: | L1 = 686 mm, L2 = 818 mm |
| Front: | Metalen rooster zwart bedrukt (1-027-792) |
| Stralerelement: | 500 W - ECO full spectrum (1-027-786) |

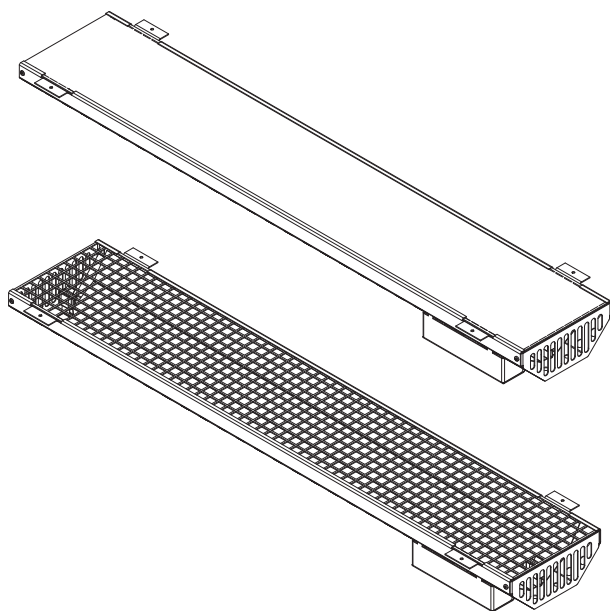
Zářič s úplným spektrem

VITAE 350 / 500 / 750 / 1300

ECO 350 / 500 / 750

NÁVOD K MONTÁŽI A POUŽITÍ

Česky



CS

PL

PT

SV

FI

RU

1-027-780 / DIR-350-R
1-027-781 / DIR-500-R
1-027-782 / DIR-750-R
1-027-779 / DIR-1300-R
1-027-785 / ECO-350-R
1-027-788 / ECO-500-R
1-027-790 / ECO-750-R

1-027-845 / WIR-350-R
1-027-846 / WIR-500-R
1-027-847 / WIR-750-R
1-027-844 / WIR-1300-R
1-027-784 / ECO-350-G
1-027-787 / ECO-500-G

Obsah

| | |
|---|-----------|
| 1. O tomto návodu | 3 |
| 2. Důležité pokyny pro vaši bezpečnost | 4 |
| 2.1. Použití v souladu s určením | 4 |
| 2.2. Bezpečnostní pokyny | 4 |
| 3. Popis výrobku | 7 |
| 3.1. Rozsah dodávky | 7 |
| 3.2. Funkce výrobku | 7 |
| 3.3. Volitelné příslušenství | 7 |
| 4. Správné umístění | 8 |
| 5. Montáž a připojení | 9 |
| 5.1. Bezpečnostní vzdálenosti | 10 |
| 5.2. Montážní výřez | 11 |
| 5.3. Montáž | 12 |
| 6. Údržba a čištění | 13 |
| 6.1. Čištění | 13 |
| 6.2. Údržba | 13 |
| 7. Likvidace | 13 |
| 8. Technické údaje | 14 |

1. O tomto návodu

Tento návod k montáži si důkladně přečtěte a uložte ho v blízkosti infračerveného zářiče. Tak si můžete vždy dodatečně přečíst informace o bezpečnosti a použití.



Tento návod k montáži a použití naleznete také v sekci ke stažení na našem webu na adrese www.sentiotec.com/downloads.

Symboly ve výstražných pokynech

V tomto návodu k montáži je text o činnostech, z nichž vyplývá určité riziko, uveden výstražným upozorněním. Tyto výstražné pokyny bezpodmínečně dodržujte. Zabráníte tak věcným škodám a poraněním, která mohou být v nejhorším případě dokonce smrtelná.

Ve výstražných pokynech jsou použita signální slova, která mají následující význam:



NEBEZPEČÍ!

Pokud tento výstražný pokyn nebude dodržen, bude to mít za následek smrt nebo vážná zranění.



VAROVÁNÍ!

Pokud tento výstražný pokyn nebude dodržen, může to mít za následek smrt nebo vážná zranění.



OPATRNĚ!

Pokud tento výstražný pokyn nebude dodržen, může to mít za následek lehká zranění.

POZOR!

Tento signální symbol upozorňuje na věcné škody.

Jiné symboly



Tento symbol označuje tipy a užitečné pokyny.



Nezakrývat!



Pročtěte si návod k obsluze

2. Důležité pokyny pro vaši bezpečnost

Infračervený zářič byl vyroben podle uznávaných bezpečnostně-technických pravidel. Při jejich používání však mohou přesto vznikat určitá rizika. Dodržujte proto následující bezpečnostní pokyny a zvláštní výstražné pokyny uvedené v jednotlivých kapitolách.

2.1. Použití v souladu s určením

Infračervený zářič slouží k ohřívání lidského těla a/nebo k ohřívání infračervené kabiny.

Infračervený zářič se smí provozovat jedině v kombinaci s řídicí jednotkou s automatickým omezením teploty.

Jakékoli jiné použití nad tento rámec se považuje za použití v rozporu s určením. Použití v rozporu s určením může vést k poškození výrobku, vážným zraněním nebo smrti.

2.2. Bezpečnostní pokyny

- Montáž svorkových připojení smí provádět pouze kvalifikovaný elektrikář nebo jiná srovnatelným způsobem kvalifikovaná osoba.
- Montáž a zapojení zástrčkových přípojek smí provést uživatel.
- Práce při montáži a připojování infračerveného zářiče se smí provádět pouze ve stavu bez napětí.
- Dodržujte také místní předpisy v místě instalace. Je nutno dodržovat předpisy EN 60335-2-53 (VDE 0700 díl 53).

- Dbejte, aby nebyl infračervený zářič vystaven žádnému mechanickému namáhání, které by mohlo způsobit prasknutí. Zářič s prasklou skleněnou čelní stranou nebo prvkem zářiče je zakázáno nadále používat. Sklo nebo prvek zářiče se musí vyměnit (číslo výrobku viz 8. Technické údaje na straně 14)
- Při nastavení polohy a vestavbě infračerveného zářiče musí být dodrženy minimální bezpečnostní vzdálenosti (viz 5.1. Bezpečnostní vzdálenosti na straně 10)
- Zářič splňuje požadavky dle IPX2. Pro montáž chráněnou před stříkající vodou podle IPX4 je nutné obložení okraje infračerveného zářiče (například: obložení z nerezové oceli, viz 3.3. Volitelné příslušenství na straně 7)
- Vestavba zářiče do parní lázně je nepřijatelná.
- V případě problémů, které nejsou dostatečně podrobně řešeny v návodu k použití, se v zájmu vlastní bezpečnosti obraťte na svého dodavatele.
- Před zapnutím řídicí jednotky infračerveného zářiče se ujistěte, že na infračerveném zářiči nebo před ním neleží žádné hořlavé předměty.
- Za provozu se nikdy nedotýkejte skla infračerveného zářiče. Sklo infračerveného zářiče se zahřívá na vysokou teplotu. Podle použití infračerveného zářiče uživatelem může být případně nutné namontovat ochranu před dotykem (například: dřevěné opěradlo, ochranná mřížka, viz 3.3. Volitelné příslušenství na straně 7).
- Zařízení nesmí používat děti do 8 let věku.

- Zařízení smí používat děti ve věku nad 8 let, osoby s omezenými fyzickými, smyslovými nebo duševními schopnostmi a osoby s nedostatečnými zkušenostmi a znalosti za následujících podmínek:
 - pokud jsou pod dozorem.
 - pokud jim bylo správné používání předvedeno a rozumějí rizikům, která mohou vzniknout.
- Děti si se zařízením nesmí hrát.
- Děti mladší 14 let smí zařízení čistit, pouze pokud jsou pod dozorem.
- Jestliže patříte k okruhu osob s omezeným vnímáním tepla nebo jste pod vlivem alkoholu, léků nebo drog, ze zdravotních důvodů se vzdejte ozařování infračerveným světlem.
- Jestliže po pravidelném ozáření infračerveným světlem přetrvává erytém (přetrvávající zarudnutí kůže po dobu delší než jeden den) nebo zůstávají barevné změny kůže podobné síti, ozařování neopakujte a zeptejte se lékaře, jak zamezit vzniku erytému.
- Doporučujeme, abyste infračervené ozáření nepoužívali v průběhu 24 hodin po ozáření UV paprsky z umělého zdroje nebo po slunění.
- Osoby, u kterých hrozí riziko přehřátí (například osoby, které trpí onemocněními srdce nebo krevního oběhu), by se v případě pochybností měly poradit s lékařem dříve, než použijí tepelnou kabinu.
- V případě problémů, které nejsou dostatečně podrobně řešeny v návodu k použití, se v zájmu vlastní bezpečnosti obraťte na svého dodavatele.

3. Popis výrobku

3.1. Rozsah dodávky

- Infračervený zářič včetně 3m přípojného kabelu se zástrčkou
- Montážní návod

3.2. Funkce výrobku

Infračervený zářič je vybaven následujícími funkcemi:

- Vestavba jako zářič na záda, zepředu nebo stropní zářič
- Zabezpečený proti poruchám díky bezpečnostnímu omezovači teploty
- Možnost plynulého tlumení
- Modely se skleněným krytem nabízejí ve vestavěném stavu v kombinaci s čelní clonou nebo dřevěným opěradlem stupeň krytí IPX4 (vhodné pro sauny)
- VITAE Zářič s plným spektrem Nextrema tmavé
Intenzita záření: A 24 %, B 55 %, C 21 %
- Nextrema Zářič s plným spektrem bílé
Intenzita záření: A 9 %, B 57 %, C 34 %
- Zářič s plným spektrem ECO se sklem
Intenzita záření: A 24 %, B 55 %, C 21 %
- Zářič s plným spektrem ECO s mříží
Intenzita záření: A 14 %, B 40 %, C 46 %

3.3. Volitelné příslušenství

- Čelní clona z nerezové oceli kartáčovaná (350W/1-027-948, 500/750/1300W/1-027-779)
- Čelní clona z nerezové oceli černě lakovaná (350W/1-027-905, 500/750/1300W/1-027-157)
- Ochranná mříž (350/1-027-791, 500W/1-027-792)
- Ergonomická opěrka zad (350/500W/514-L/A/D)
- Ergonomická opěrka zad VitaMy (350W/1-039-182)

- Dřevěné opěradlo lípa (350W/1-028-578, 500/750W/1-032-185)
- Dřevěné opěradlo Prestige (350W/1-032-186, 500/750W/1-032-213)
- Infračervený rozdělovač (IR-1P2, IR-1P3, IR-1P5)
- Kabel pro rozdělovač (IR-1P2, IR-1P3, IR-1P5)
- Připojovací vedení pro rozdělovač (IR-IS-A03, IR-IS-A10, IR-IS-A25)

4. Správné umístění

Použití jako:

- Zářič na záda: 350 W, 500 W
- Přední zářič: 350 W, 500 W, 750 W
- Stropní zářič: 750 W, 1300 W

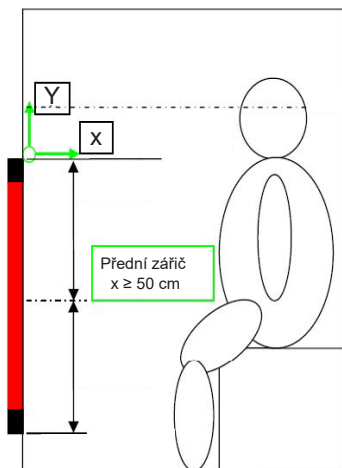
Podle normy EN 60335-2-53 nesmí v infračervené tepelné kabině intenzita ozáření zprůměrovaná podle rastru 20 cm x 20 cm v oblasti hrudi a zad přítomné osoby překročit hodnotu 1 000 W m⁻² (je třeba poznamenat, že tato mezní hodnota má za cíl zamezit tepelnému stresu).

Aby bylo zaručeno, že tato mezní hodnota nebude překročena, smí být jako zářič na záda použit jen zářič o výkonu 350 W nebo 500 W. Dále je při umístění zářiče na záda nutno dbát zásady, že vzdálenost zad od zářiče nesmí být menší než 4 cm.

Jako přední zářič je dovoleno používat pouze zářiče s výkonem 350 W, 500 W nebo 750 W. Dále je nutno dbát zásady, že minimální vzdálenost trupu od předního zářiče nesmí být menší než 50 cm (na obrázku „x“).

Aby nedošlo k překročení mezní hodnoty ICNIRP pro dlouhodobou mezní hodnotu 100 W/m² u „infračerveného oka“, musí být zářiče přemístěny směrem dolů (na obrázku „Y“).

Podrobné údaje jsou uvedeny v odborném posudku LE-G18/3 a LE-G31/18 od společnosti Seibersdorf Laboratories.



5. Montáž a připojení



VÝSTRAHA!

Nebezpečí úrazu elektrickým proudem

- Montáž a připojení infračerveného zářiče provádějte pouze ve stavu bez napětí.

- Zářič se dodává s předem namontovanou zástrčkou. Montáž a zástrčkové přípojky smí provést uživatel.
- Je-li zářič s řídicí jednotkou připojen pevnou montáží, zástrčku odstraňte. Montáž svorkových připojení smí provádět pouze kvalifikovaný elektrikář nebo jiná srovnatelným způsobem kvalifikovaná osoba.
- Zadní strana zářiče NESMÍ být zakryta, aby mohlo vznikající teplo unikat otvory.
- Větrací štěrby nahoře a dole NESMÍ být nikdy zakryté (viz **Obr. 1**).
- Pro správnou funkci teplotní pojistky musí být při svislé montáži (například zářič na záda) připojovací krabice zářiče nahoře (viz **Obr. 14**).
- Dodržujte minimální bezpečnostní vzdálenosti od hořlavých materiálů (viz **5.1. Bezpečnostní vzdálenosti na straně 10**).



Obr. 1: Větrací štěrby ponechejte volné



Obr. 2: Poloha připojovací krabice

5.1. Bezpečnostní vzdálenosti

Dodržujte uváděné minimální bezpečnostní vzdálenosti a **Obr. 3**.

Infračervený zářič 350 W, 500 W

(DIR-350-R / DIR-500-R / WIR-350-R / WIR-500-R /
ECO-350-R / ECO-500-R / ECO-350-G / ECO-500-G)

při svislé montáži:

B = 15 mm

F = 25 mm

při vodorovné montáži:

B = 80 mm

F = 25 mm

Infračervený zářič 750 W (DIR-750-R / WIR-750-R / ECO-750-R)

při vodorovné montáži:

B = 100 mm

F = 150 mm

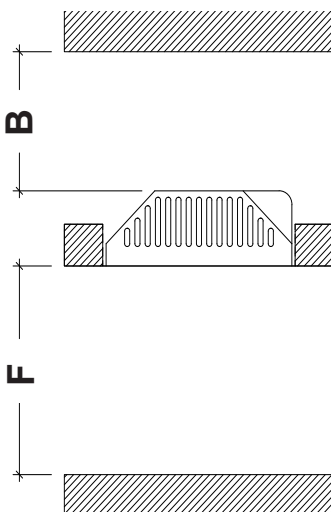
Infračervený zářič 1300 W (DIR-1300-R / WIR-1300-R)

při vodorovné montáži:

B = 150 mm

F = 200 mm

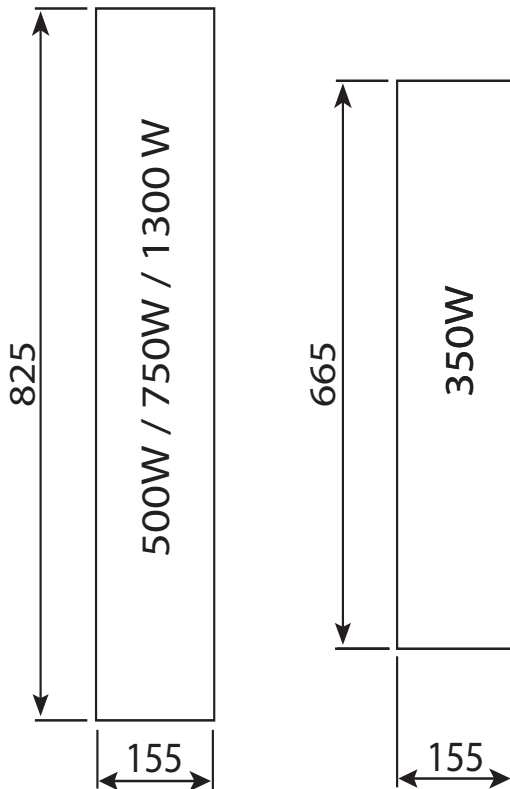
Obr. 3: Bezpečnostní vzdálenosti infračerveného zářiče



5.2. Montážní výřez

Respektujte **Obr. 1** a **Obr. 4**.

Obr. 4: Montážní výřezy infračerveného zářiče
Rozměry v mm



5.3. Montáž

Respektujte **Obr. 2** a **Obr. 5**.

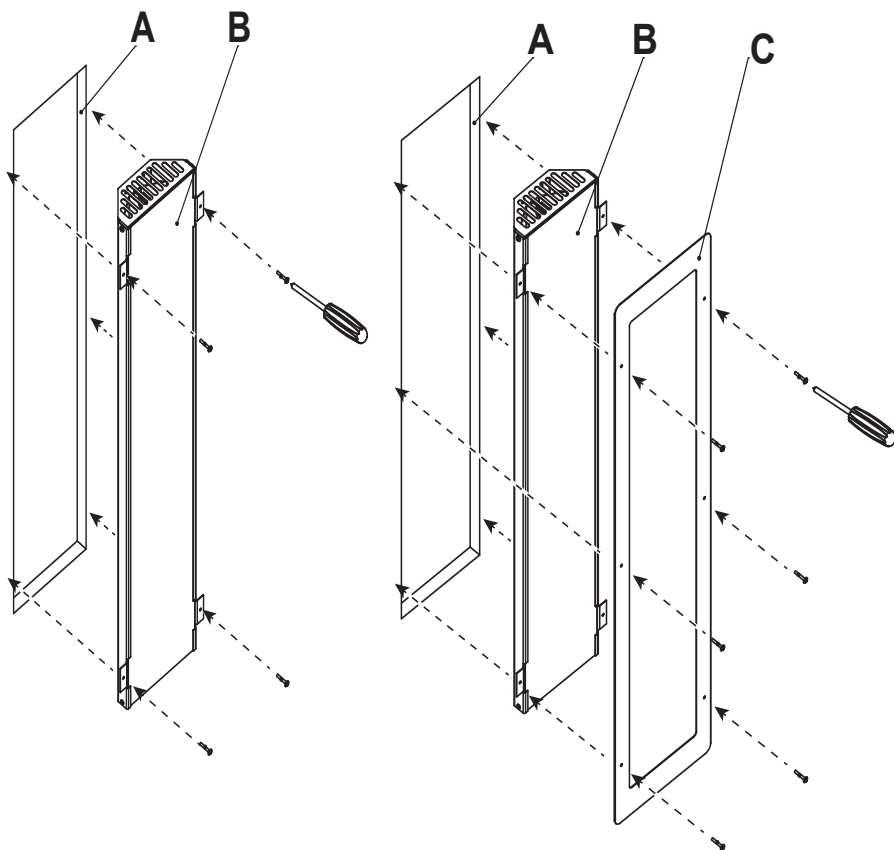


OPATRŇĚ!

Dbejte, aby byla připojovací krabice zářiče na horní straně!

U infračervených zářičů s výkonem 1300 W je součástí dodávky páska na ochranu proti požáru. Tuto pásku nalepte před montáží zářiče na vnější okraj výřezu (viz **A v Obr. 5**)

Obr. 5: Montáž infračerveného zářiče bez volitelného nerezového obložení a s ním



A Výřez ve stěně kabiny

B Infračervený zářič

C Nerezové obložení (volitelně)

6. Údržba a čištění

6.1. Čištění

POZOR!

Poškození přístroje

Záříč je chráněn proti stříkající vodě, ale přímý kontakt s vodou může přesto přístroj poškodit.

- Přístroj NIKDY neponořujte do vody.
- Přístroj nikdy nepolévejte vodou.
- Přístroj nečistěte za použití příliš vlhkých pomůcek.

CS

1. Vypnutí záříče
2. Záříč nechte vychladnout
3. Sklo opatrně setřete navlhčenou utěrkou.

6.2. Údržba

Infračervený záříč je bezúdržbový.

7. Likvidace

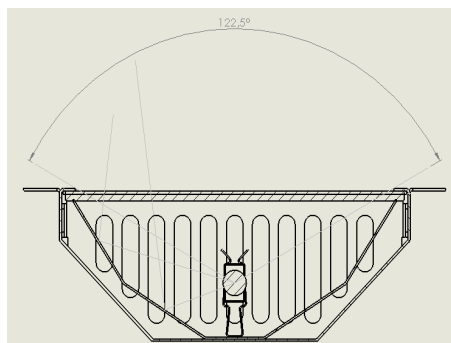
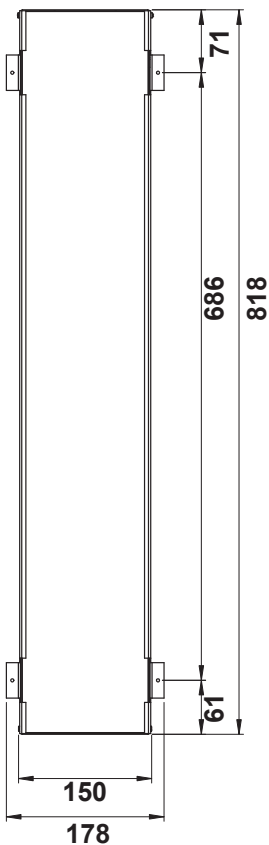


- Obalové materiály zlikvidujte podle směrnic platných pro likvidaci.
- Stará zařízení obsahují recyklovatelné materiály, ale i škodlivé látky. Stará zařízení proto v žádném případě neodkládejte do odpadu, ale zlikvidujte je podle místních platných předpisů.

8. Technické údaje

Všeobecně všechny zářiče

| | |
|----------------------|--|
| Skladovací podmínky: | -25 °C až +70 °C |
| Okolní teplota: | +10 °C až +140 °C |
| Síťové napětí: | 230 V ~ 1N 50 Hz |
| Tepelná pojistka: | 130 °C |
| Typ krytí: | IPX2 |
| Připojovací kabel: | 3 m – 3 x 1,5 mm ² izolovaný se zástrčkou |
| Úhel vyzařování: | 122,5° |



DIR-350-R

| | |
|---------------|-----------------------------------|
| Rozměry: | L1 = 523 mm, L2 = 658 mm |
| Čelní sklo: | Schott Nextrema tmavé (1-027-840) |
| Prvek zářiče: | 350 W – Vitae (1-027-836) |

DIR-500-R

| | |
|---------------|-----------------------------------|
| Rozměry: | L1 = 686 mm, L2 = 818 mm |
| Čelní sklo: | Schott Nextrema tmavé (1-027-839) |
| Prvek zářiče: | 500 W – Vitae (1-027-837) |

DIR-750-R

| | |
|---------------|-----------------------------------|
| Rozměry: | L1 = 686 mm, L2 = 818 mm |
| Čelní sklo: | Schott Nextrema tmavé (1-027-839) |
| Prvek zářiče: | 750 W – Vitae (1-027-838) |

DIR-1300-R

| | |
|---------------|-----------------------------------|
| Rozměry: | L1 = 686 mm, L2 = 818 mm |
| Čelní sklo: | Schott Nextrema tmavé (1-027-839) |
| Prvek zářiče: | 1300 W – Vitae (1-027-835) |

WIR-350-R

| | |
|---------------|---------------------------------------|
| Rozměry: | L1 = 523 mm, L2 = 658 mm |
| Čelní sklo: | Schott Nextrema bílé (1-027-842) |
| Prvek zářiče: | 350 W – ECO plné spektrum (1-027-783) |

WIR-500-R

| | |
|---------------|---------------------------------------|
| Rozměry: | L1 = 686 mm, L2 = 818 mm |
| Čelní sklo: | Schott Nextrema bílé (1-027-841) |
| Prvek zářiče: | 500 W – ECO plné spektrum (1-027-786) |

WIR-750-R

| | |
|---------------|---------------------------------------|
| Rozměry: | L1 = 686 mm, L2 = 818 mm |
| Čelní sklo: | Schott Nextrema bílé (1-027-841) |
| Prvek zářiče: | 750 W – ECO plné spektrum (1-027-789) |

WIR-1300-R

| | |
|---------------|----------------------------------|
| Rozměry: | L1 = 686 mm, L2 = 818 mm |
| Čelní sklo: | Schott Nextrema bílé (1-027-841) |
| Prvek zářiče: | 1300 W – Vitae (1-027-835) |

ECO-350-R

| | |
|---------------|---------------------------------------|
| Rozměry: | L1 = 523 mm, L2 = 658 mm |
| Čelní sklo: | Sklokeramika tmavá (1-030-969) |
| Prvek zářiče: | 350 W – ECO plné spektrum (1-027-783) |

ECO-500-R

| | |
|---------------|---------------------------------------|
| Rozměry: | L1 = 686 mm, L2 = 818 mm |
| Čelní sklo: | Sklokeramika tmavá (1-030-968) |
| Prvek zářiče: | 500 W – ECO plné spektrum (1-027-786) |

ECO-750-R

| | |
|---------------|---------------------------------------|
| Rozměry: | L1 = 686 mm, L2 = 818 mm |
| Čelní sklo: | Sklokeramika tmavá (1-030-968) |
| Prvek zářiče: | 750 W – ECO plné spektrum (1-027-789) |

ECO-350-G

| | |
|---------------|--|
| Rozměry: | L1 = 523 mm, L2 = 658 mm |
| Přední: | Kovová mříž černá povrchová úprava (1-027-791) |
| Prvek zářiče: | 350 W – ECO plné spektrum (1-027-783) |

ECO-500-G

| | |
|---------------|--|
| Rozměry: | L1 = 686 mm, L2 = 818 mm |
| Přední: | Kovová mříž černá povrchová úprava (1-027-792) |
| Prvek zářiče: | 500 W – ECO plné spektrum (1-027-786) |

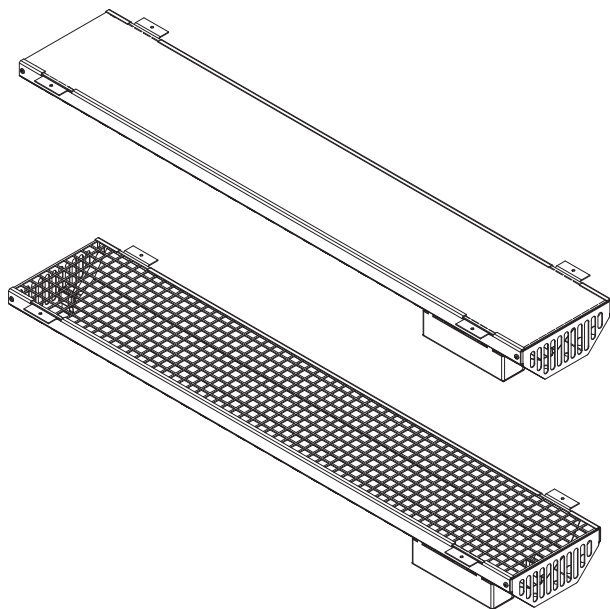
Promiennik pełnozakresowy

VITAE 350 / 500 / 750 / 1300

ECO 350 / 500 / 750

INSTRUKCJA OBSŁUGI

Język polski



PL

1-027-780 / DIR-350-R
1-027-781 / DIR-500-R
1-027-782 / DIR-750-R
1-027-779 / DIR-1300-R
1-027-785 / ECO-350-R
1-027-788 / ECO-500-R
1-027-790 / ECO-750-R

1-027-845 / WIR-350-R
1-027-846 / WIR-500-R
1-027-847 / WIR-750-R
1-027-844 / WIR-1300-R
1-027-784 / ECO-350-G
1-027-787 / ECO-500-G

SPIS TREŚCI

| | |
|--|-----------|
| 1. Wprowadzenie do instrukcji | 3 |
| 2. Ważne wskazówki bezpieczeństwa | 4 |
| 2.1. Użytkowanie zgodne z przeznaczeniem | 4 |
| 2.2. Wskazówki bezpieczeństwa | 4 |
| 3. Opis produktu | 7 |
| 3.1. Zakres dostawy | 7 |
| 3.2. Funkcje produktu | 7 |
| 3.3. Opcjonalne akcesoria | 7 |
| 4. Prawidłowe umiejscowienie | 8 |
| 5. Montaż i podłączenie | 9 |
| 5.1. Odległości bezpieczeństwa | 10 |
| 5.2. Otwór montażowy | 11 |
| 5.3. Montaż | 12 |
| 6. Czyszczenie i konserwacja | 13 |
| 6.1. Czyszczenie | 13 |
| 6.2. Konserwacja | 13 |
| 7. Utylizacja | 13 |
| 8. Dane techniczne | 14 |

1. Wprowadzenie do instrukcji

Przeczytaj uważnie niniejszą instrukcję montażu. Przechowuj ją w pobliżu promiennika podczerwieni. Dzięki temu będzie można w każdej chwili z niej skorzystać w celu uzyskania informacji dotyczących bezpieczeństwa i użytkowania.



Niniejsza instrukcja montażu i obsługi jest również dostępna do pobrania na naszej stronie internetowej www.sentiotec.com/downloads.

Symbole używane w ostrzeżeniach

W niniejszej instrukcji montażu przed działaniami stwarzającymi zagrożenie zamieszczone są ostrzeżenia. Należy bezwzględnie przestrzegać tych ostrzeżeń. Pozwoli to zapobiec powstaniu szkód rzeczowych i obrażeniom, które w najgorszym przypadku mogą być nawet śmiertelne.

Ostrzeżenia zawierają hasła ostrzegawcze, które mają następujące znaczenia:



NIEBEZPIECZEŃSTWO!

Nieprzestrzeganie tego ostrzeżenia prowadzi do śmierci lub poważnych obrażeń.



OSTRZEŻENIE!

Nieprzestrzeganie tego ostrzeżenia może doprowadzić do śmierci lub poważnych obrażeń.



OSTROŻNIE!

Nieprzestrzeganie tego ostrzeżenia może doprowadzić do niewielkich obrażeń.

UWAGA!

To hasło ostrzega przed szkodami rzeczowymi.

Inne symbole



Ten symbol oznacza porady i przydatne wskazówki.



Nie zakrywaj!



Przeczytać instrukcję obsługi

2. Ważne wskazówki bezpieczeństwa

Promiennik podczerwieni jest wykonany zgodnie z powszechnie przyjętymi zasadami techniki bezpieczeństwa. Mimo to podczas jego użytkowania mogą występować pewne zagrożenia. Dlatego należy stosować się do poniższych wskazówek bezpieczeństwa i specjalnych ostrzeżeń zamieszczonych w poszczególnych rozdziałach.

2.1. Użytkowanie zgodne z przeznaczeniem

Promiennik podczerwieni służy do ogrzewania ludzkiego ciała oraz/ lub do nagrzewania kabiny na podczerwień.

Promiennik podczerwieni może być używany tylko w połączeniu ze sterownikiem z funkcją automatycznego ograniczania czasu grzania.

Każdy inny rodzaj zastosowania uważany jest za użytkowanie niezgodne z przeznaczeniem. Użytkowanie niezgodne z przeznaczeniem może spowodować uszkodzenie produktu, ciężkie obrażenia lub śmierć.

2.2. Wskazówki bezpieczeństwa

- Montaż połączeń zaciskowych może wykonywać tylko wykwalifikowany elektryk lub osoba posiadająca porównywalne kwalifikacje.
- Montaż połączeń wtykowych może wykonać użytkownik.
- Prace w zakresie montażu i podłączania promiennika podczerwieni można wykonywać wyłącznie wówczas, gdy instalacja jest odłączona od napięcia.
- Należy również przestrzegać lokalnych przepisów obowiązujących w miejscu instalacji. Należy przestrzegać zaleceń normy EN 60335-2-53 (VDE 0700 cz. 53).

- Zwracać uwagę na to, aby promiennik podczerwieni nie był narażony na obciążenia mechaniczne, ponieważ może to spowodować pęknięcie. Nie wolno używać promienników z pękniętym szklanym frontem lub elementem grzejnym promiennika. Szkło lub element grzejny promiennika należy wymienić (nr artykułu, patrz 8. Dane techniczne na stronie 14).
- Podczas pozycjonowania oraz montażu promiennika podczerwieni należy zachować minimalne odległości bezpieczeństwa (patrz 5.1. Odległości bezpieczeństwa na stronie 10).
- Promiennik spełnia wymagania zgodnie z IPX2. Do montażu bryzgoszczelnego, zgodnie z IPX4, konieczna jest osłona krawędzi promiennika podczerwieni (np.: osłona ze stali nierdzewnej, patrz 3.3. Opcjonalne akcesoria na stronie 7).
- Montaż promiennika w łaźni parowej jest niedozwolony.
- W kwestiach, które nie zostały w sposób wyczerpujący opisane w instrukcji obsługi, dla własnego bezpieczeństwa należy zwrócić się do dostawcy urządzenia.
- Przed włączeniem sterownika promiennika podczerwieni zadbać o to, by na promienniku podczerwieni lub przed nim nie były zawieszony żadne łatwopalne przedmioty.
- Nigdy nie dotykać szkła promiennika podczerwieni podczas jego eksploatacji. Szkło promiennika podczerwieni bardzo mocno się nagrzewa. W zależności od funkcji wykorzystywanych przez użytkownika może być konieczne zamontowanie zabezpieczenia przed dotknięciem (np.: drewnianej poręczy, kratki ochronnej, patrz 3.3. Opcjonalne akcesoria na stronie 7).
- Urządzenie nie może być używane przez dzieci w wieku poniżej 8 lat.

- Urządzenie może być używane przez dzieci w wieku powyżej 8 lat, osoby z ograniczoną sprawnością fizyczną, sensoryczną lub umysłową i nieposiadające doświadczenia oraz wiedzy po spełnieniu następujących warunków:
 - jeśli są nadzorowane,
 - jeśli zostały poinstruowane w zakresie bezpiecznego użytkowania urządzenia i rozumieją zagrożenia, jakie mogą się pojawić.
- Dzieciom nie wolno bawić się urządzeniem.
- Dzieci w wieku poniżej 14 lat mogą czyścić urządzenie tylko wtedy, kiedy są pod nadzorem.
- Jeśli użytkownik należy do grupy osób o ograniczonej zdolności odczuwania ciepła lub znajduje się pod wpływem alkoholu, leków lub narkotyków, nie powinien używać promieniowania podczerwonego ze względów zdrowotnych.
- Jeżeli utrzymujący się rumień (trwałe zaczerwienienie skóry przez ponad jeden dzień) lub siateczkowate przebarwienia utrzymują się po regularnym naświetlaniu promieniami podczerwonymi, naświetlanie nie powinno być powtarzane i należy skonsultować się z lekarzem, aby zapobiec rozwojowi rumienia erythema ab igne.
- Zaleca się, aby nie stosować promieniowania podczerwonego w ciągu 24 godzin od ekspozycji na promieniowanie UV ze sztucznego źródła lub po opalaniu się.
- Osoby narażone na ryzyko przegrzania, takie jak osoby cierpiące na choroby układu krążenia, powinny w razie wątpliwości skonsultować się z lekarzem przed skorzystaniem z kabiny cieplnej.
- W kwestiach, które nie zostały w sposób wyczerpujący opisane w instrukcji obsługi, dla własnego bezpieczeństwa należy zwrócić się do dostawcy urządzenia.

3. Opis produktu

3.1. Zakres dostawy

- Promiennik podczerwieni z kablem przyłączeniowym o dł. 3 m z wtyczką
- Instrukcja montażu

3.2. Funkcje produktu

Promiennik podczerwieni posiada następujące funkcje:

- Możliwość montażu jako promiennik tylny, promiennik przedni lub sufitowy
- Samozabezpieczenie dzięki zabezpieczającemu ogranicznikowi temperatury
- Płynna regulacja
- Modele z pokrywą szklaną oferują w stanie zamontowanym w połączeniu z osłoną czołową lub poręczą drewnianą poziom ochrony IPX4 (nadają się do saun)
- VITAE Promiennik pełnozakresowy Nextrema ciemne
Intensywność promieniowania: A 24%, B 55%, C 21%
- Nextrema Promiennik pełnozakresowy ciemne
Intensywność promieniowania: A 9%, B 57%, C 34%
- Promiennik pełnozakresowy ECO ze szkłem
Intensywność promieniowania: A 24%, B 55%, C 21%
- Promiennik pełnozakresowy ECO z kratką
Intensywność promieniowania: A 14%, B 40%, C 46 %

3.3. Opcjonalne akcesoria

- Osłona czołowa ze stali nierdzewnej, szczotkowana (350 W/1-027-948, 500/750/1300 W/1-027-779)
- Osłona czołowa ze stali nierdzewnej, lakierowana na czarno (350 W/1-027-905, 500/750/1300 W/1-027-157)
- Kratka ochronna (350/1-027-791, 500 W/1-027-792)
- Ergonomiczne oparcie (350/500 W/514-L/A/D)
- Ergonomiczne oparcie VitaMy (350 W/1-039-182)

- Drewniane oparcie, lipa (350 W/1-028-578, 500/750 W/1-032-185)
- Drewniane oparcie Prestige (350 W/1-032-186, 500/750 W/1-032-213)
- Rozdzielacz podczerwieni (IR-1P2, IR-1P3, IR-1P5)
- Kabel do rozdzielacza (IR-1P2, IR-1P3, IR-1P5)
- Przewód przyłączeniowy do rozdzielacza (IR-IS-A03, IR-IS-A10, IR-IS-A25)

4. Prawidłowe umiejscowienie

Zastosowanie jako:

- Promiennik tylny: 350 W, 500 W
- Promiennik przedni: 350 W, 500 W, 750 W
- Promiennik sufitowy: 750 W, 1300 W

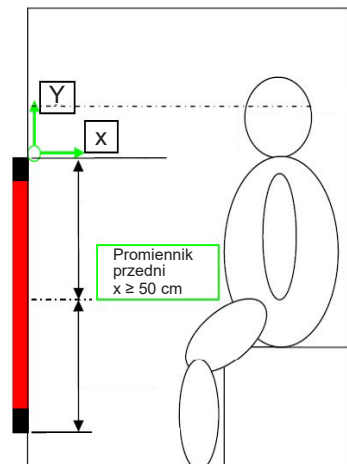
Zgodnie z normą EN 60335-2-53 natężenie promieniowania w obszarze klatki piersiowej i pleców osoby znajdującej się w kabinie do napromieniowania promieniami podczerwonymi, uśrednione na siatce o wymiarach 20 cm x 20 cm, nie może przekraczać wartości 1000 W m⁻² (należy zauważyć, że ta wartość graniczna odnosi się do zapobiegania stresowi termicznemu).

W celu zapewnienia, że ta wartość graniczna nie zostanie przekroczona, jako promiennik tylny może być stosowany tylko promiennik 350 W lub 500 W. Ponadto podczas doboru lokalizacji promiennika tylnego należy zwracać uwagę na to, że odstęp od pleców nie może być mniejszy niż 4 cm.

Jako promienniki przednie mogą być stosowane tylko promienniki 350 W, 500 W lub 750 W. Należy przy tym pamiętać, że odstęp minimalny pomiędzy górną częścią ciała a promiennikiem przednim nie może być mniejszy niż 50 cm (na zdjęciu „Y”).

W celu uzyskania poziomu poniżej wartości granicznych ICNIRP dla długotrwałej ekspozycji oka na promieniowanie podczerwone, wynoszących 100 W/m², konieczne jest przesunięcie promienników w dół (na zdjęciu „Y”).

Szczegółowe informacje można znaleźć w ekspertyzie LE-G18/3 oraz LE-G31/18 autorstwa Seibersdorf Laboratories.



5. Montaż i podłączenie



OSTRZEŻENIE!

Ryzyko porażenia prądem elektrycznym

- Prace w zakresie montażu i podłączania promiennika podczerwieni można wykonywać wyłącznie wówczas, gdy instalacja jest odłączona od napięcia.

- Promiennik jest dostarczany z zamontowaną wtyczką. Montaż połączenia wtykowego może wykonać użytkownik.
- Jeżeli przewód promiennika ma zostać na stałe podłączony bezpośrednio do jednostki sterującej, to wtyczkę należy zdemontować. Montaż połączenia zaciskowego może wykonywać tylko wykwalifikowany elektryk lub osoba posiadająca porównywalne kwalifikacje.
- Tylnej ścianki promiennika **NIE** wolno zakrywać, aby powstające ciepło mogło uchodzić przez otwory.
- **NIE** zakrywać szczelin wentylacyjnych na górze i na dole (patrz **rys. 1**).
- W celu zapewnienia prawidłowego działania zabezpieczenia termicznego w przypadku pionowego montażu (np. jako promiennik tylny) skrzynka przyłączowa musi znajdować się u góry (patrz **rys. 14**).
- Należy zachować minimalne odległości bezpieczeństwa od materiałów łatwopalnych (patrz **5.1. Odległości bezpieczeństwa na stronie 10**).



rys. 1: Nie zakrywać szczelin wentylacyjnych



rys. 2: Pozycja skrzynki przyłączowej

5.1. Odległości bezpieczeństwa

Przestrzegać podanych minimalnych odległości bezpieczeństwa oraz rys. 3.

Promiennik podczerwieni 350 W, 500 W

(DIR-350-R / DIR-500-R / WIR-350-R / WIR-500-R /
ECO-350-R / ECO-500-R / ECO-350-G / ECO-500-G)

w przypadku montażu w pionie:

B = 15 mm

F = 25 mm

w przypadku montażu w poziomie:

B = 80 mm

F = 25 mm

Promiennik podczerwieni 750 W (DIR-750-R / WIR-750-R / ECO-750-R)

w przypadku montażu w poziomie:

B = 100 mm

F = 150 mm

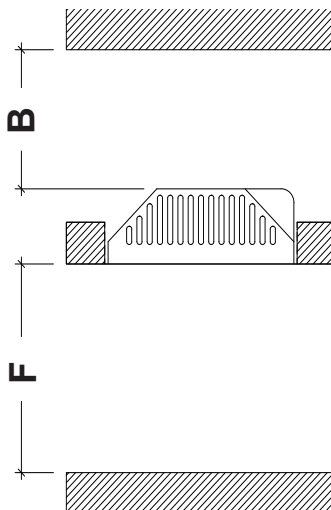
Promiennik podczerwieni 1300 W (DIR-1300-R / WIR-1300-R)

w przypadku montażu w poziomie:

B = 150 mm

F = 200 mm

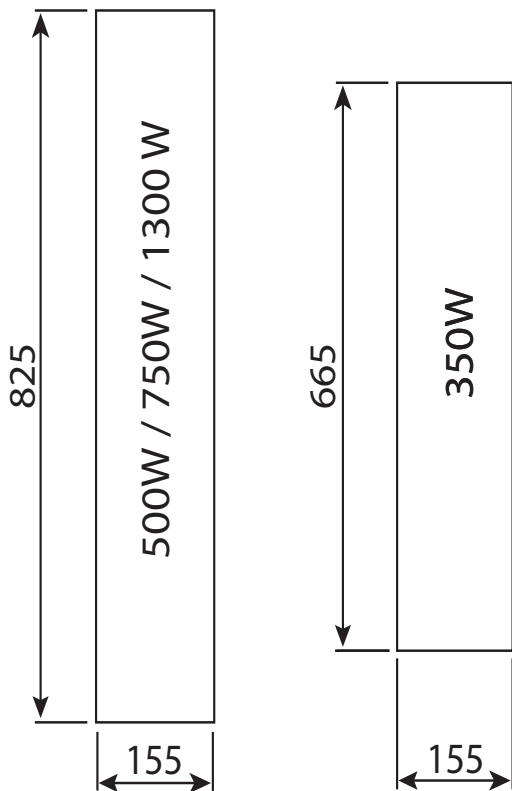
rys. 3: Odległości bezpieczeństwa promiennika podczerwieni



5.2. Otwór montażowy

Przestrzegać rys. 1 oraz rys. 4.

rys. 4: Otwory montażowe dla promiennika podczerwieni
Wymiary w mm



5.3. Montaż

Przestrzegać rys. 2 oraz rys. 5.

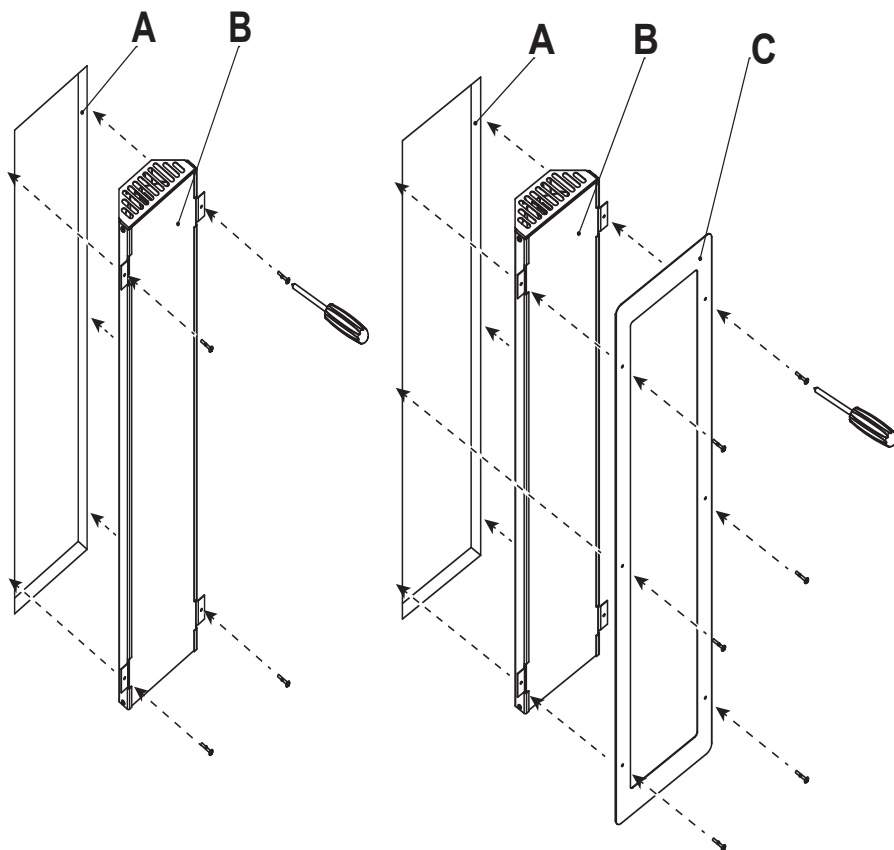


OSTROŻNIE!

Należy zwracać uwagę na to, aby skrzynka przyłączowa promiennika znajdowała się u góry!

W przypadku promienników podczerwieni o mocy 1300 W w zakresie dostawy znajduje się taśma ogniochronna. Przed zamontowaniem promiennika należy ją nakleić na zewnętrzną krawędź otworu (**patrz poz. A na rys. 5**)

rys. 5: Montaż promiennika podczerwieni z opcjonalną osłoną ze stali nierdzewnej oraz bez niej



- A Otwór w ścianie kabiny
- B Promiennik podczerwieni
- C Osłona ze stali nierdzewnej (opcjonalna)

6. Czyszczenie i konserwacja

6.1. Czyszczenie

UWAGA!

Ryzyko uszkodzenia urządzenia

Promiennik jest bryzgoszczelny, jednak bezpośredni kontakt z wodą może spowodować uszkodzenie urządzenia.

- NIGDY nie zanurzaj urządzenia w wodzie.
- Nie zalewaj urządzenia wodą.
- Nie czyść urządzenia zbyt wilgotną szmatką.

PL

1. Wyłącz promiennik.
2. Pozostaw promiennik do ostygnięcia.
3. Wytrzyj ostrożnie szkło miękką szmatką.

6.2. Konserwacja

Promiennik podczerwieni jest bezobsługowy.

7. Utylizacja

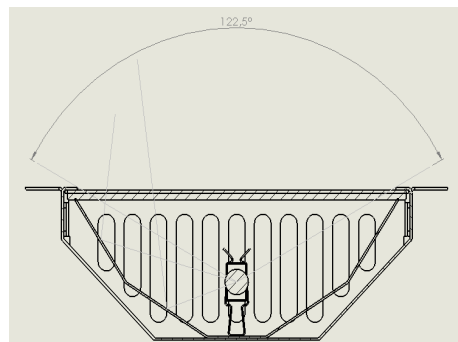
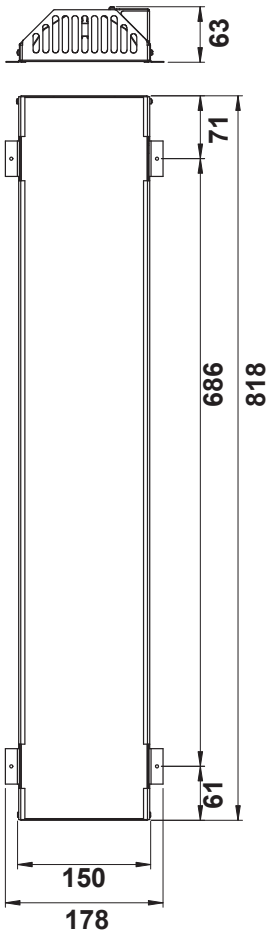


- Materiały opakowaniowe należy utylizować zgodnie z obowiązującymi przepisami.
- Stare urządzenia zawierają materiały możliwe do powtórnego przetworzenia jak również szkodliwe substancje. Dlatego nie należy ich umieszczać w pojemnikach na odpady nienadające się do powtórnego przetworzenia, lecz utylizować je zgodnie z lokalnymi przepisami.

8. Dane techniczne

Dane ogólne wszystkich promienników

| | |
|---------------------------|--|
| Warunki przechowywania: | -25°C do +70°C |
| Temperatura otoczenia: | +10°C do +140°C |
| Napięcie sieciowe: | 230 V ~ 1N 50 Hz |
| Zabezpieczenie termiczne: | 130°C |
| Stopień ochrony: | IPX2 |
| Kabel przyłączeniowy: | 3 m – 3 x 1,5 mm ² izolowany, z wtyczką |
| Kąt promieniowania: | 122,5° |



DIR-350-R

| | |
|------------------------------|------------------------------------|
| Wymiary: | L1 = 523 mm, L2 = 658 mm |
| Szkló przednie: | Schott Nextrema ciemne (1-027-840) |
| Element grzejny promiennika: | 350 W – Vitae (1-027-836) |

DIR-500-R

| | |
|------------------------------|------------------------------------|
| Wymiary: | L1 = 686 mm, L2 = 818 mm |
| Szkló przednie: | Schott Nextrema ciemne (1-027-839) |
| Element grzejny promiennika: | 500 W – Vitae (1-027-837) |

DIR-750-R

| | |
|------------------------------|------------------------------------|
| Wymiary: | L1 = 686 mm, L2 = 818 mm |
| Szkló przednie: | Schott Nextrema ciemne (1-027-839) |
| Element grzejny promiennika: | 750 W – Vitae (1-027-838) |

DIR-1300-R

| | |
|------------------------------|------------------------------------|
| Wymiary: | L1 = 686 mm, L2 = 818 mm |
| Szkló przednie: | Schott Nextrema ciemne (1-027-839) |
| Element grzejny promiennika: | 1300 W – Vitae (1-027-835) |

WIR-350-R

| | |
|------------------------------|--|
| Wymiary: | L1 = 523 mm, L2 = 658 mm |
| Szkló przednie: | Schott Nextrema białe (1-027-842) |
| Element grzejny promiennika: | 350 W – ECO pełnozakresowy (1-027-783) |

WIR-500-R

| | |
|------------------------------|--|
| Wymiary: | L1 = 686 mm, L2 = 818 mm |
| Szkló przednie: | Schott Nextrema białe (1-027-841) |
| Element grzejny promiennika: | 500 W – ECO pełnozakresowy (1-027-786) |

WIR-750-R

| | |
|------------------------------|--|
| Wymiary: | L1 = 686 mm, L2 = 818 mm |
| Szkló przednie: | Schott Nextrema białe (1-027-841) |
| Element grzejny promiennika: | 750 W – ECO pełnozakresowy (1-027-789) |

WIR-1300-R

| | |
|------------------------------|-----------------------------------|
| Wymiary: | L1 = 686 mm, L2 = 818 mm |
| Szkoło przednie: | Schott Nextrema białe (1-027-841) |
| Element grzejny promiennika: | 1300 W – Vitae (1-027-835) |

ECO-350-R

| | |
|------------------------------|--|
| Wymiary: | L1 = 523 mm, L2 = 658 mm |
| Szkoło przednie: | szkoło ceramiczne ciemne (1-030-969) |
| Element grzejny promiennika: | 350 W – ECO pełnozakresowy (1-027-783) |

ECO-500-R

| | |
|------------------------------|--|
| Wymiary: | L1 = 686 mm, L2 = 818 mm |
| Szkoło przednie: | szkoło ceramiczne ciemne (1-030-968) |
| Element grzejny promiennika: | 500 W – ECO pełnozakresowy (1-027-786) |

ECO-750-R

| | |
|------------------------------|--|
| Wymiary: | L1 = 686 mm, L2 = 818 mm |
| Szkoło przednie: | szkoło ceramiczne ciemne (1-030-968) |
| Element grzejny promiennika: | 750 W – ECO pełnozakresowy (1-027-789) |

ECO-350-G

| | |
|------------------------------|--|
| Wymiary: | L1 = 523 mm, L2 = 658 mm |
| Przód: | kratka metalowa, czarna, flokowana (1-027-791) |
| Element grzejny promiennika: | 350 W – ECO pełnozakresowy (1-027-783) |

ECO-500-G

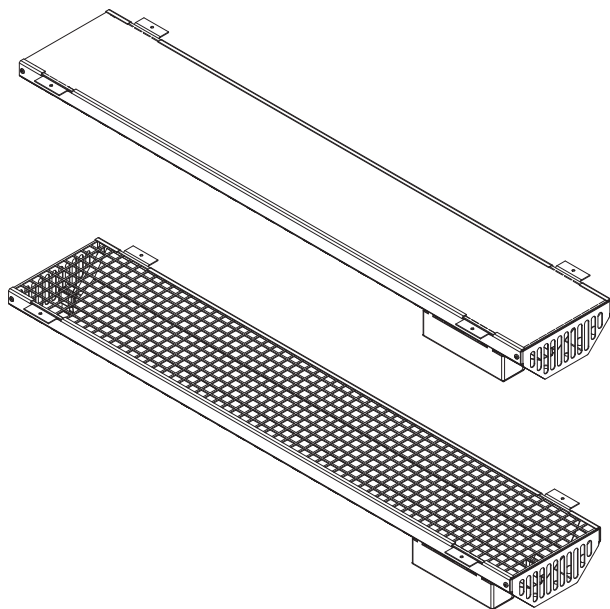
| | |
|------------------------------|--|
| Wymiary: | L1 = 686 mm, L2 = 818 mm |
| Przód: | kratka metalowa, czarna, flokowana (1-027-792) |
| Element grzejny promiennika: | 500 W – ECO pełnozakresowy (1-027-786) |

Radiador de espectro completo

VITAE 350 / 500 / 750 / 1300

ECO 350 / 500 / 750

INSTRUÇÕES DE MONTAGEM E DE UTILIZAÇÃO
Português



PT

1-027-780 / DIR-350-R
1-027-781 / DIR-500-R
1-027-782 / DIR-750-R
1-027-779 / DIR-1300-R
1-027-785 / ECO-350-R
1-027-788 / ECO-500-R
1-027-790/ECO-750-R

1-027-845 / WIR-350-R
1-027-846 / WIR-500-R
1-027-847 / WIR-750-R
1-027-844 / WIR-1300-R
1-027-784 / ECO-350-G
1-027-787 / ECO-500-G

Índice

| | |
|--|-----------|
| 1. Sobre este manual | 3 |
| 2. Indicações importantes sobre a sua segurança | 4 |
| 2.1. Utilização prevista | 4 |
| 2.2. Indicações de segurança | 4 |
| 3. Descrição do produto | 7 |
| 3.1. Volume de fornecimento | 7 |
| 3.2. Funções do produto | 7 |
| 3.3. Acessórios opcionais | 7 |
| 4. Colocação correta | 8 |
| 5. Montagem e ligação | 9 |
| 5.1. Distâncias de segurança | 10 |
| 5.2. Recorte de montagem | 11 |
| 5.3. Montagem | 12 |
| 6. Limpeza e manutenção | 13 |
| 6.1. Limpeza | 13 |
| 6.2. Manutenção | 13 |
| 7. Eliminação | 13 |
| 8. Dados técnicos | 14 |

1. Sobre este manual

Leia atentamente o manual de montagem e guarde-o nas proximidades do radiador de infravermelhos. Desta forma, pode ler as informações sobre a sua segurança e a utilização a qualquer momento.



Este manual de montagem e operação também está disponível na área de transferências do nosso website em www.sentiotec.com/downloads.

Símbolos nas advertências

Nestas instruções de montagem, as atividades que comportam riscos são precedidas de uma advertência. É imperativo que respeite estas advertências. Desta forma, evita danos materiais e ferimentos que, no pior dos casos, podem ser fatais.

Nas advertências são utilizadas palavras de sinalização que têm os significados seguintes:



PERIGO!

A inobservância desta advertência resulta em ferimentos graves ou morte.



AVISO!

A inobservância desta advertência pode resultar em ferimentos graves ou morte.



CUIDADO!

A inobservância desta advertência pode resultar em ferimentos ligeiros.

ATENÇÃO!

Esta palavra de sinalização alerta-o para danos materiais.

Outros símbolos



Este símbolo identifica dicas e indicações úteis.



Não tapar!



Ler o manual de operação

2. Indicações importantes sobre a sua segurança

O radiador de infravermelhos foi construído de acordo com as regras reconhecidas no domínio da segurança. No entanto, podem surgir situações de perigo durante a utilização. Por conseguinte, respeite as indicações de segurança e as advertências específicas dos vários capítulos.

2.1. Utilização prevista

O radiador de infravermelhos destina-se a aquecer o corpo humano e/ou a aquecer uma cabina de infravermelhos.

O radiador de infravermelhos só pode ser operado em conjunto com um comando com limitação automática do tempo de aquecimento.

Qualquer utilização que não corresponda à utilização prevista é considerada incorreta. Uma utilização incorreta pode levar a danos no produto, a ferimentos graves ou mesmo à morte.

2.2. Indicações de segurança

- A montagem das ligações de aperto só pode ser executada por um electricista ou por uma pessoa com formação equivalente.
- A montagem das fichas pode ser realizada pelo utilizador.
- Os trabalhos de montagem e de ligação do radiador de infravermelhos só podem ser realizados no estado isento de tensão.
- Respeite também as regulamentações locais no local de instalação. As disposições da norma EN 60335-2-53 (VDE 0700 parte 53) devem ser respeitadas.

- Preste atenção para que o radiador de infravermelhos não seja sujeito a qualquer solicitação mecânica dado que isso causa a quebra. Radiadores que tenham a parte dianteira de vidro ou um elemento partido já não podem ser utilizados. O vidro ou o elemento deve ser substituído (número de artigo, consulte 8. Dados técnicos na página 14)
- Ao posicionar e ao montar o radiador de infravermelhos, devem ser cumpridas as distâncias de segurança mínimas (consulte 5.1. Distâncias de segurança na página 10)
- O radiador cumpre os requisitos de acordo com o IPX2. Para a montagem protegida contra salpicos de água, de acordo com o IPX4, é necessário tapar a borda do radiador de infravermelhos (p. ex.: painel em aço inoxidável, consulte 3.3. Acessórios opcionais na página 7)
- A montagem do radiador num banho turco não é permitida.
- Para sua própria segurança, em caso de problemas que não sejam abordados de forma suficientemente detalhada no manual de operação, contacte os seus fornecedores.
- Antes de ligar o comando de infravermelhos, assegure-se de que não existem quaisquer objetos inflamáveis sobre ou à frente do radiador de infravermelhos.
- Nunca toque no vidro do radiador de infravermelhos durante a operação. O vidro do radiador de infravermelhos fica muito quente. Dependendo da função do utilizador, a montagem de uma proteção contra o toque é eventualmente necessária (p. ex.: encosto de madeira, grelha de proteção, consulte 3.3. Acessórios opcionais na página 7).
- O aparelho não pode ser utilizado por crianças com menos de 8 anos de idade.

- O aparelho pode ser utilizado por crianças com mais de 8 anos de idade, por pessoas com capacidades físicas, sensoriais ou mentais reduzidas e por pessoas com falta de experiência e conhecimentos, nas seguintes condições:
 - se forem supervisionadas.
 - Se aprenderem como se utiliza o aparelho de uma forma segura e compreenderem os potenciais riscos.
- As crianças não devem brincar com o aparelho.
- As crianças com menos de 14 anos de idade só podem limpar o aparelho se forem supervisionadas.
- Se pertencer ao grupo de pessoas com limitada sensibilidade ao calor ou se estiver sob o efeito de álcool, medicamentos ou drogas, por motivos de saúde, não se exponha à radiação de infravermelhos.
- Se, após uma exposição regular à radiação de infravermelhos, ficar com um eritema duradouro (vermelhidão permanente da pele durante mais de um dia) ou alterações de cor reticulares, não se volte a expor à radiação e consulte um médico para saber como impedir o surgimento de um eritema.
- Não se recomenda a utilização de radiação de infravermelhos nas 24 horas posteriores a uma radiação UV de uma fonte artificial ou após uma exposição ao sol.
- As pessoas sujeitas a um risco de aquecimento excessivo como, por exemplo, quem sofre de doenças cardiovasculares devem, em caso de dúvida, devem consultar um médico antes de usarem uma cabina de infravermelhos.
- Para sua própria segurança, em caso de problemas que não sejam abordados de forma suficientemente detalhada no manual de operação, contacte os seus fornecedores.

3. Descrição do produto

3.1. Volume de fornecimento

- Radiador de infravermelhos com cabo de ligação de 3 m e ficha
- Manual de montagem

3.2. Funções do produto

O radiador de infravermelhos tem as seguintes funções:

- Montagem como radiador traseiro, frontal ou de teto
- Com proteção própria através de um limitador de temperatura de segurança
- Regulável continuamente
- Os modelos com cobertura de vidro oferecem, no estado montado e em combinação com o painel frontal ou um encosto de madeira, o grau de proteção IPX4 (adequado para saunas)
- VITAE Radiador de espectro completo Nextrema escuro
Intensidade do radiador: A 24%, B 55%, C 21%
- Nextrema Radiador de espectro completo branco
Intensidade do radiador: A 9%, B 57%, C 34%
- Radiador de espectro completo ECO com vidro
Intensidade do radiador: A 24%, B 55%, C 21%
- Radiador de espectro completo ECO com grelha
Intensidade do radiador: A 14%, B 40%, C 46%

3.3. Acessórios opcionais

- Painel frontal em aço inoxidável escovado (350W/1-027-948, 500/750/1300W/1-027-779)
- Painel frontal em aço inoxidável, pintado a preto (350W/1-027-905, 500/750/1300W/1-027-157)
- Grelha de proteção (350/1-027-791, 500W/1-027-792)
- Encosto ergonómico (350/500W/514-L/A/D)
- Encosto ergonómico VitaMy (350W/1-039-182)

- Encosto em madeira Linde (350W/1-028-578, 500/750W/1-032-185)
- Encosto em madeira Prestige (350W/1-032-186, 500/750W/1-032-213)
- Distribuidor de infravermelhos (IR-1P2, IR-1P3, IR-1P5)
- Cabo para distribuidor (IR-1P2, IR-1P3, IR-1P5)
- Cabo de ligação para distribuidor (IR-IS-A03, IR-IS-A10, IR-IS-A25)

4. Colocação correta

Utilização como:

- Radiador traseiro: 350 W, 500 W
- Radiador frontal: 350 W, 500 W, 750 W
- Radiador de teto: 750 W, 1300 W

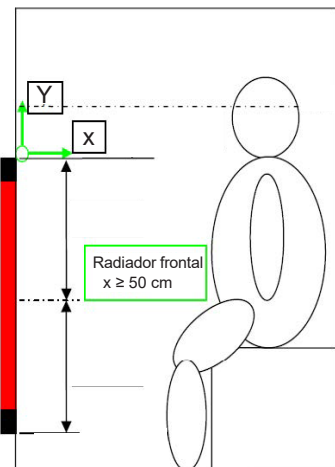
De acordo com a norma EN 60335-2-53, numa cabina de infravermelhos, a intensidade de radiação calculada num reticulado de 20 cm x 20 cm na área do peito e das costas de uma pessoa não pode exceder o valor de 1000 W por m² (note-se que este valor-limite se refere ao sobreaquecimento).

Para garantir que este valor-limite não é excedido, um radiador usado como radiador traseiro só pode ter 350 W ou 500 W. Ao colocar o radiador traseiro, deve também prestar-se atenção para que a distância entre a traseira e o radiador não seja inferior a 4 cm.

Um radiador usado como radiador frontal só pode ter 350 W, 500 W ou 750 W. Deve garantir-se que a distância mínima entre a parte superior do corpo e o radiador frontal não é inferior a 50 cm (na imagem "x").

Para cumprir os valores-limite ICNIRP relativos ao valor-limite de longa duração de 100 W/m² do „olho de infravermelhos“, os radiadores têm de ser deslocados para baixo (na imagem „Y“).

Poderá encontrar informações detalhadas no parecer LE-G18/3 e LE-G31/18 da Seibersdorf Laboratories.



5. Montagem e ligação



AVISO!

Perigo de choque elétrico

- Os trabalhos de montagem e de ligação no radiador de infravermelhos só podem ser realizados se este estiver isento de tensão.
-
- O radiador é fornecido com a ficha pré-montada. A montagem da ficha pode também ser realizada pelo utilizador.
 - Se, num comando, o radiador for ligado através de uma montagem fixa, remova a ficha. A montagem da ligação de aperto só pode ser executada por um electricista ou por uma pessoa com formação equivalente.
 - A parte traseira do radiador **NÃO** pode ser tapada para que o calor possa ser dissipado pelas aberturas.
 - As aberturas de ventilação em cima e em baixo **NÃO** devem ser tapadas (consulte **Fig. 1**)
 - Para um funcionamento correto da proteção térmica em caso de montagem vertical (p. ex., radiador traseiro), a caixa de ligação do radiador deve estar em cima (consulte **Fig. 14**).
 - Respeite as distâncias mínimas de segurança em relação a materiais facilmente inflamáveis (consulte **5.1. Distâncias de segurança na página 10**).

PT



Fig. 1: Não tapar as aberturas de ventilação



Fig. 2: Posição da caixa de ligação

5.1. Distâncias de segurança

Respeite as distâncias de segurança mínimas indicadas e a **Fig. 3**.

Radiador de infravermelhos de 350 W, 500 W

(DIR-350-R / DIR-500-R / WIR-350-R / WIR-500-R /
ECO-350-R / ECO-500-R / ECO-350-G / ECO-500-G)

Na montagem vertical:

B = 15 mm

F = 25 mm

Na montagem horizontal:

B = 80 mm

F = 25 mm

Radiador de infravermelhos de 750 W (DIR-750-R / WIR-750-R / ECO-750-R)

Na montagem horizontal:

B = 100 mm

F = 150 mm

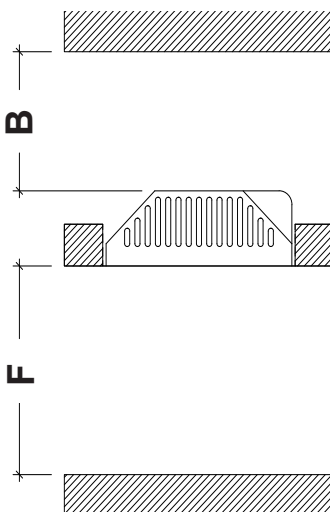
Radiador de infravermelhos de 1300 W (DIR-1300-R / WIR-1300-R)

Na montagem horizontal:

B = 150 mm

F = 200 mm

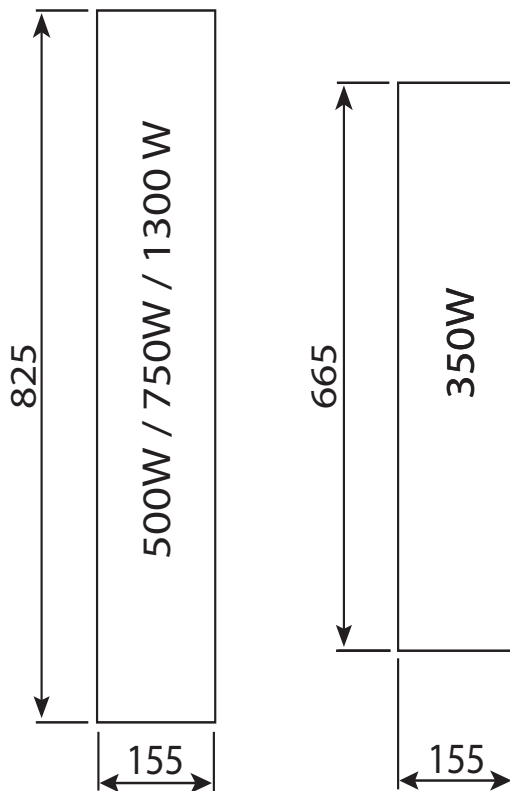
Fig. 3: Distâncias de segurança do radiador de infravermelhos



5.2. Recorte de montagem

Observe a Fig. 1 e Fig. 4.

Fig. 4: Recortes de montagem do radiador de infravermelhos
Dimensões em mm



5.3. Montagem

Observe a **Fig. 2** e **Fig. 5**.

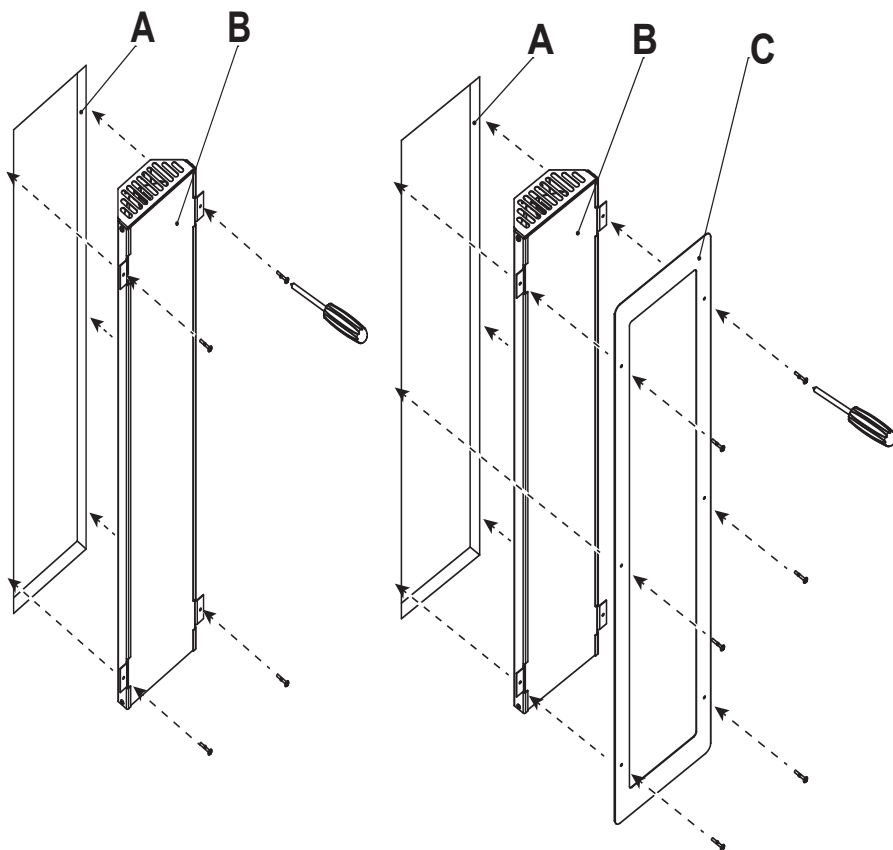


CUIDADO!

Certifique-se de que a caixa de ligação do radiador fica na parte superior!

Nos radiadores de infravermelhos com 1300 W, o âmbito de fornecimento inclui uma fita de proteção contra o fogo. Antes da montagem do radiador, cole-a no bordo exterior do recorte (**consulte A na Fig. 5**)

Fig. 5: Montagem do radiador de infravermelhos sem e com painel em aço inoxidável opcional



- A Recorte da parede da cabina
- B Radiador de infravermelhos
- C Painel em aço inoxidável (opcional)

6. Limpeza e manutenção

6.1. Limpeza

ATENÇÃO!

Danos no aparelho

O radiador está protegido contra salpicos de água, no entanto, o contacto direto com a água pode danificar o aparelho.

- NUNCA mergulhe o aparelho em água.
- Não deite água no aparelho.
- A limpeza do aparelho não deve ser demasiado húmida.

1. Desligue o radiador
2. Deixe o radiador arrefecer
3. Limpe cuidadosamente o vidro com um pano húmido.

PT

6.2. Manutenção

O radiador de infravermelhos não requer qualquer manutenção.

7. Eliminação

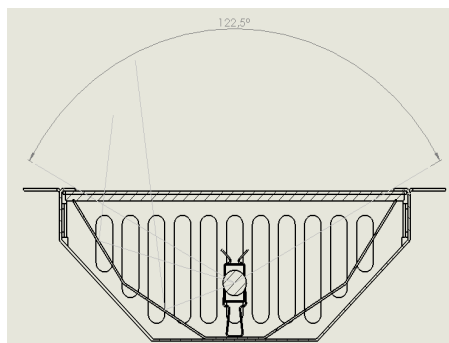
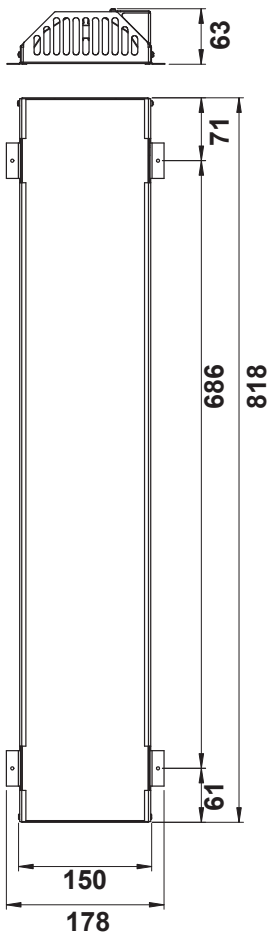


- Elimine os materiais da embalagem de acordo com as diretivas de eliminação em vigor.
- Os aparelhos usados contêm materiais reutilizáveis, mas também substâncias perigosas. Por isso, não deite, sob circunstância alguma, o seu aparelho usado no lixo residual. Elimine-o, sim, de acordo com as disposições válidas localmente.

8. Dados técnicos

Informações gerais para todos os radiadores

| | |
|----------------------------|---|
| Condição de armazenamento: | -25 °C até +70 °C |
| Temperatura ambiente: | +10 °C até +140 °C |
| Tensão de rede: | 230 V ~ 1N 50 Hz |
| Proteção térmica: | 130 °C |
| Tipo de proteção: | IPX2 |
| Cabo de ligação: | 3 m - 3 x 1,5 mm ² isolado com ficha |
| Ângulo de irradiação: | 122,5° |



DIR-350-R

| | |
|-----------------------|------------------------------------|
| Dimensão: | L1 = 523 mm, L2 = 658 mm |
| Vidro frontal: | Schott Nextrema escuro (1-027-840) |
| Elemento do radiador: | 350 W - Vitae (1-027-836) |

DIR-500-R

| | |
|-----------------------|------------------------------------|
| Dimensão: | L1 = 686 mm, L2 = 818 mm |
| Vidro frontal: | Schott Nextrema escuro (1-027-839) |
| Elemento do radiador: | 500 W - Vitae (1-027-837) |

DIR-750-R

| | |
|-----------------------|------------------------------------|
| Dimensão: | L1 = 686 mm, L2 = 818 mm |
| Vidro frontal: | Schott Nextrema escuro (1-027-839) |
| Elemento do radiador: | 750 W - Vitae (1-027-838) |

DIR-1300-R

| | |
|-----------------------|------------------------------------|
| Dimensão: | L1 = 686 mm, L2 = 818 mm |
| Vidro frontal: | Schott Nextrema escuro (1-027-839) |
| Elemento do radiador: | 1300 W - Vitae (1-027-835) |

WIR-350-R

| | |
|-----------------------|--|
| Dimensão: | L1 = 523 mm, L2 = 658 mm |
| Vidro frontal: | Schott Nextrema branco (1-027-842) |
| Elemento do radiador: | 350 W - ECO de espectro completo (1-027-783) |

WIR-500-R

| | |
|-----------------------|--|
| Dimensão: | L1 = 686 mm, L2 = 818 mm |
| Vidro frontal: | Schott Nextrema branco (1-027-841) |
| Elemento do radiador: | 500 W - ECO de espectro completo (1-027-786) |

WIR-750-R

| | |
|-----------------------|--|
| Dimensão: | L1 = 686 mm, L2 = 818 mm |
| Vidro frontal: | Schott Nextrema branco (1-027-841) |
| Elemento do radiador: | 750 W - ECO de espectro completo (1-027-789) |

WIR-1300-R

| | |
|-----------------------|------------------------------------|
| Dimensão: | L1 = 686 mm, L2 = 818 mm |
| Vidro frontal: | Schott Nextrema branco (1-027-841) |
| Elemento do radiador: | 1300 W - Vitae (1-027-835) |

ECO-350-R

| | |
|-----------------------|--|
| Dimensão: | L1 = 523 mm, L2 = 658 mm |
| Vidro frontal: | vidro cerâmica escuro (1-030-969) |
| Elemento do radiador: | 350 W - ECO de espectro completo (1-027-783) |

ECO-500-R

| | |
|-----------------------|--|
| Dimensão: | L1 = 686 mm, L2 = 818 mm |
| Vidro frontal: | vidro cerâmica escuro (1-030-968) |
| Elemento do radiador: | 500 W - ECO de espectro completo (1-027-786) |

ECO-750-R

| | |
|-----------------------|--|
| Dimensão: | L1 = 686 mm, L2 = 818 mm |
| Vidro frontal: | vidro cerâmica escuro (1-030-968) |
| Elemento do radiador: | 750 W - ECO de espectro completo (1-027-789) |

ECO-350-G

| | |
|-----------------------|--|
| Dimensão: | L1 = 523 mm, L2 = 658 mm |
| Frente: | grelha metálica preta flocada (1-027-791) |
| Elemento do radiador: | 350 W - ECO de espectro completo (1-027-783) |

ECO-500-G

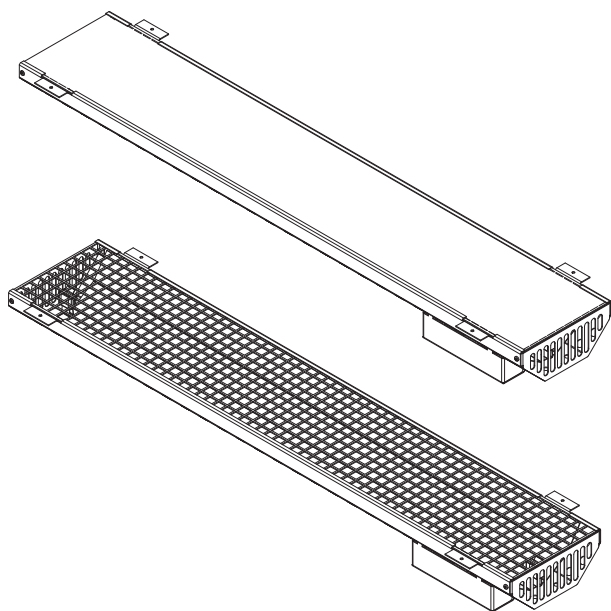
| | |
|-----------------------|--|
| Dimensão: | L1 = 686 mm, L2 = 818 mm |
| Frente: | grelha metálica preta flocada (1-027-792) |
| Elemento do radiador: | 500 W - ECO de espectro completo (1-027-786) |

Fullspektral strålkastare

VITAE 350 / 500 / 750 / 1300

ECO 350 / 500 / 750

MONTERINGS- OCH BRUKSANVISNING Svenska



SV

1-027-780 / DIR-350-R
1-027-781 / DIR-500-R
1-027-782 / DIR-750-R
1-027-779 / DIR-1300-R
1-027-785 / ECO-350-R
1-027-788 / ECO-500-R
1-027-790/ECO-750-R

1-027-845 / WIR-350-R
1-027-846 / WIR-500-R
1-027-847 / WIR-750-R
1-027-844 / WIR-1300-R
1-027-784 / ECO-350-G
1-027-787 / ECO-500-G

Innehållsförteckning

| | |
|---|-----------|
| 1. Om monterings- och bruksanvisningen | 3 |
| 2. Viktig säkerhetsinformation | 4 |
| 2.1. Ändamålsenlig användning | 4 |
| 2.2. Säkerhetsanvisningar | 4 |
| 3. Produktbeskrivning | 7 |
| 3.1. Leveransomfattning | 7 |
| 3.2. Funktioner | 7 |
| 3.3. Tillbehör | 7 |
| 4. Korrekt placering | 8 |
| 5. Installation och anslutning | 9 |
| 5.1. Säkerhetsavstånd | 10 |
| 5.2. Monteringsutskärning | 11 |
| 5.3. Installation | 12 |
| 6. Rengöring och underhåll | 13 |
| 6.1. Rengöring | 13 |
| 6.2. Underhåll | 13 |
| 7. Avfallshantering | 13 |
| 8. Tekniska data | 14 |

1. Om monterings- och bruksanvisningen

Läs monteringsanvisningarna noggrant och förvara dem nära infrarödvarmaren. På detta sätt har du alltid tillgång till information kring säkerhet och användning.



Den här monterings- och bruksanvisningen kan även laddas ner från vår webbsida, www.sentiotec.com/downloads.

Symboler och varningar

I denna bruksanvisning placeras en varning före aktiviteter som innebär en risk. Dessa varningar ska alltid beaktas. På så sätt undviker man saksador och personskador, som i värsta fall kan ha dödlig utgång.

Följande signalord används:



FARA!

Om de här varningarna/anvisningarna inte följs leder det till allvarliga eller livsfarliga skador.



WARNING!

Om de här varningarna/anvisningarna inte följs kan det leda till allvarliga eller livsfarliga skador.



FÖRSIKTIGHET!

Om de här varningarna/anvisningarna inte följs kan det leda till lindriga skador.

WARNING!

Varnar för saksador.

Övriga symboler



Används vid tips och nyttig information.



Täck inte över!



Läs bruksanvisningen

2. Viktig säkerhetsinformation

Denna infrarödvärmare är byggd i enlighet med erkända säkerhetsregler. Det kan ändå uppstå vissa risker under användningen. Följ alltid nedanstående säkerhetsanvisningar och observera de särskilda varningarna i resp. kapitel.

2.1. Ändamålsenlig användning

Infrarödvärmaren används för att värma upp människokroppen och/eller för uppvärmning av infraröda kabiner.

Infrarödvärmaren får endast användas i kombination med en kontroll med automatisk tidsbegränsning för uppvärmning.

All annan användning betraktas som ej ändamålsenlig. Ej ändamålsenlig användning kan leda till skador på produkten och innebära risk för allvarliga eller livsfarliga skador.

2.2. Säkerhetsanvisningar

- Montering av klämanslutningar får endast utföras av en kvalificerad elektriker eller en person med motsvarande kvalifikationer.
- Montering av plugganslutningar kan utföras av användaren.
- Installations- och anslutningsarbeten på infrarödvärmaren får endast utföras när strömmen är avstängd.
- Följ gällande lokala bestämmelser. Föreskrifterna enligt EN 60335-2-53 (VDE 0700 del 53) måste följas.
- Se till att den infraröda värmaren inte utsätts för mekanisk belastning, detta leder till att skador på maskinen uppstår. Värmare med en trasig glasfront eller kylarelement får inte längre användas. Glaset eller kylarelementet måste bytas ut (för artikelnummer se 8. Tekniska data på sidan 14)

- Vid placering och installation av den infrarödvärmaren måste de minsta säkerhetsavstånden beaktas (se Säkerhetsavstånd på sida 5.1. Säkerhetsavstånd på sidan 10)
- Värmaren uppfyller kraven i IPX2. För en stänksäker installation, enligt IPX4, är det nödvändigt att täcka kanten på infrarödvärmaren (t.ex. med ett skydd i rostfritt stål, se kapitel 3.3. Tillbehör på sidan 7)
- Det är inte tillåtet att installera värmaren i ett ångbad.
- Om det uppstår problem som inte beskrivs tillräckligt detaljerat i bruksanvisningen, vänd dig, för din egen säkerhets skull, till leverantören/återförsäljaren.
- Se till att inga brandfarliga föremål hänger på eller framför infrarödvärmaren innan du aktiverar värmarens kontroll.
- Rör aldrig vid infrarödvärmarens glas under drift. Infrarödvärmarens glas blir mycket varmt. Beroende på användarfunktion kan det vara nödvändigt att installera ett pekskydd (t.ex. träryggstöd eller ett skyddsgaller, se 3.3. Tillbehör på sidan 7).
- Barn under 8 år får inte använda utrustningen.

- Under följande förutsättningar får utrustningen användas av barn över 8 år, av personer med nedsatt psykisk, sensorisk eller mental förmåga och av personer som saknar erfarenhet och kunskap om liknande utrustningar:
 - under uppsikt.
 - när de har instruerats om säker användning och känner till vilka risker som kan uppstå.
- Utrustningen är ingen leksak. Barn får inte leka med den.
- Barn under 14 år får endast rengöra utrustningen under uppsikt.
- Om du tillhör gruppen människor med begränsad värmekänsla eller om du är påverkad av alkoholkonsumtion, medicinering eller droger, använd då inte infrarödvärmaren av säkerhetsskäl.
- Om bestående erytem (permanent rodnad i huden i mer än en dag) eller om nätliknande färgförändringar kvarstår efter regelbunden bestrålning med infrarödvärmaren, bör bestrålningen inte upprepas och läkare bör konsulteras för att förhindra utveckling av erytem ab igne.
- Det rekommenderas att infrarödvärmaren inte används under 24 timmar efter exponering för UV-strålning från en konstgjord källa eller från solljus.
- Personer med risk för överhettning, till exempel personer med hjärt-kärlsjukdomar, bör konsultera en läkare innan de använder en värmekabin.
- Om det uppstår problem som inte beskrivs tillräckligt detaljerat i bruksanvisningen, vänd dig, för din egen säkerhets skull, till leverantören/återförsäljaren.

3. Produktbeskrivning

3.1. Leveransomfattning

- IR-sändare inkl. en 3 m anslutningskabel med kontakt
- Monteringsanvisning

3.2. Funktioner

Den infrarödvärmaren har följande funktioner:

- Installation som bakre, främre eller takstrålkastare
- Inbyggd säkring med termostat.
- Steglös dimning
-
- Modeller med glasöverdrag, när de installeras, i kombination med en frontpanel eller ryggstöd i trä, erbjuder skyddsklass IPX4 (lämplig för bastuanläggningar)
- VITAE fullspektrumsvärmare Nexterma mörkat glas
Strålningsintensitet: A 24%, B 55%, C 21%
- Nexterma fullspektrumsvärmare vitt glas
Strålningsintensitet: A 9%, B 57%, C 34%
- ECO fullspektrumsvärmare med glas
Strålningsintensitet: A 24%, B 55%, C 21%
- ECO fullspektrumstrålare med galler
Strålningsintensitet: A 14%, B 40%, C 46%

3.3. Tillbehör

- Frontpanel med borstat, rostfritt stål
(350W/1-027-948, 500/750/1300W/1-027-779)
- Frontpanel av rostfritt stål i lackerad svart
(350W/1-027-905, 500/750/1300W/1-027-157)
- Skyddsgaller (350/1-027-791, 500W/1-027-792)
- Ergonomiskt ryggstöd (350/500W/514-L/A/D)
- Ergonomiskt ryggstöd VitaMy (350W/1-039-182)

- Ryggstöd i lind (350W/1-028-578, 500/750W/1-032-185)
- Ryggstöd prestige (350W/1-032-186, 500/750W/1-032-213)
- Infrarödsfördelare (IR-1P2, IR-1P3, IR-1P5)
- Kabel till fördelare (IR-1P2, IR-1P3, IR-1P5)
- Anslutningskabel för fördelaren (IR-IS-A03, IR-IS-A10, IR-IS-A25)

4. Korrekt placering

Användning som:

- Ryggreflektor: 350 W, 500 W
- Frontreflektor 350 W, 500 W, 750 W
- Takreflektor 750 W, 1300 W

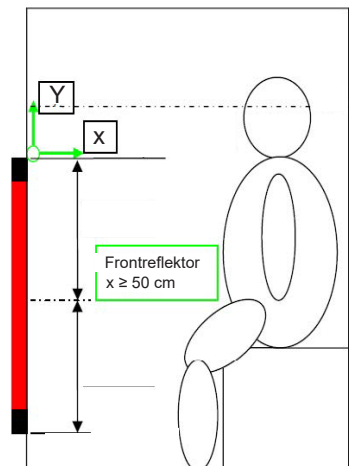
Enligt EN 60335-2-53 får strålningsstyrkan i en infrarödkabin där värmen fördelas över ett rutnät på 20 cm x 20 cm får i bröst- och ryggområdet hos en person inte överstiga värdet 1000 W m⁻² (det bör noteras att detta gränsvärdet har för syfte att förhindra värmestress).

För att säkerställa att detta gränsvärde inte överskrids får endast en 350 W eller 500 W värmare användas som bakvärmare. När du placerar den bakre värmaren är det viktigt att se till att avståndet från ryggen till värmaren inte är mindre än 4 cm.

Endast 350 W, 500 W eller 750 W-stålkastare får användas som frontvärmare. Observera att minimiavståndet mellan överkroppen och frontvärmaren inte får vara mindre än 50 cm (på bilden „x“).

För att inte överskrida ICNIRP:s gränsvärden på 100 W/m² för "IR-öga" gällande användning över lång tid, måste sändarna flyttas nedåt „Y“).

Du hittar detaljerad information i rapporterna LE-G18/3 och LE-G31/18 från Seibersdorf Laboratories.



5. Installation och anslutning



VARNING!

Risk för elektriska stötar

- Utför endast monterings- och anslutningsarbeten på den infraröd-värmaren när denna är i frångkopplat läge.

- Värmaren levereras med en förmonterad anslutning. Montering av plugganslutningar kan utföras av användaren.
- Om värmaren är ansluten till ett styrsystem med permanent montering, avlägsna då kontakten. Montering av klämanslutningar får endast utföras av en kvalificerad elektriker eller en person med motsvarande kvalifikationer.
- Värmarens baksida får INTE övertäckas så att den genererade värmen kan komma ut genom öppningarna.
- Ventilationsöppningarna ovan och under får INTE övertäckas (se **Bild 1**)
- För att den termiska säkringen ska fungera korrekt vid en vertikal installation, måste värmarens anslutningslåda monteras ovanpå (t.ex. bakre värmare) (se **Bild 14**).
- Håll minsta säkerhetsavstånd till lättantändliga material (se **5.1. Säkerhetsavstånd på sidan 10**).

SV



Bild 1: Ventilationsöppningarna ska lämnas öppnade.



Bild 2: Position Anslutningslåda

5.1. Säkerhetsavstånd

Observera de angivna minsta säkerhetsavstånden och Kapitel **Bild 3**.

Infrarödvärmare 350 W, 500 W

(DIR-350-R / DIR-500-R / WIR-350-R / WIR-500-R /
ECO-350-R / ECO-500-R / ECO-350-G / ECO-500-G)

vid horisontell montering:

B = 15 mm

F = 25 mm

vid horisontell montering:

B = 80 mm

F = 25 mm

Infrarödvärmare 750 W (DIR-750-R / WIR-750-R / ECO-750-R)

vid horisontell montering:

B = 100 mm

F = 150 mm

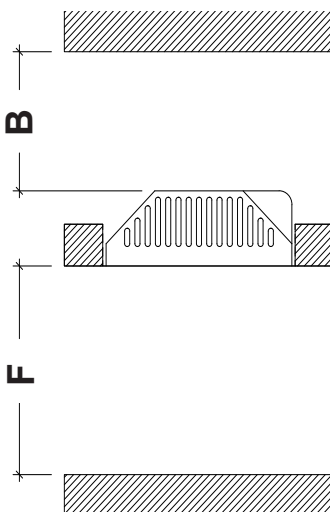
Infrarödvärmare 1300 W (DIR-1300-R / WIR-1300-R)

vid horisontell montering:

B = 150 mm

F = 200 mm

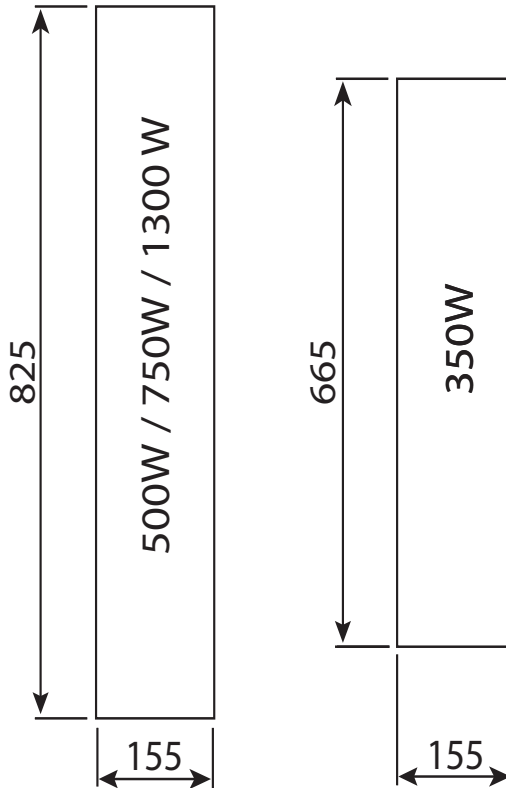
Bild 3: Säkerhetsavstånd för infrarödvärmare



5.2. Monteringsutskärning

Observera **Bild 1** och **Bild 4**.

Bild 4: Monteringsutskärning för infrarödvärmare
Mått i mm



5.3. Installation

Observera **Bild 2** och **Bild 5**.

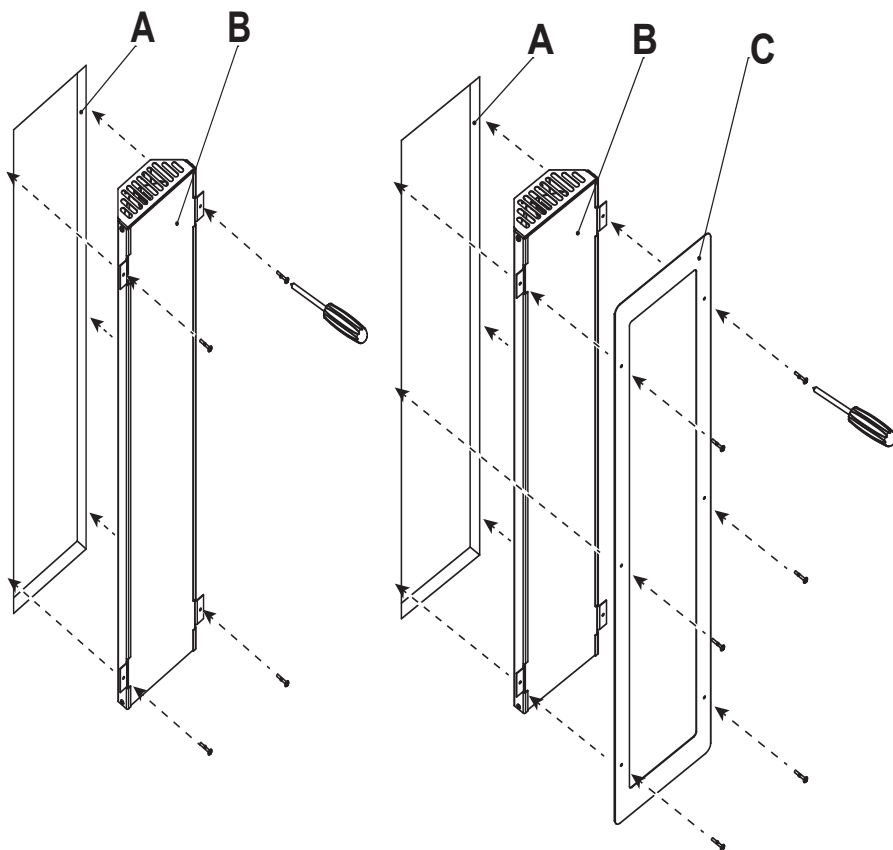


FÖRSIKTIGHET!

Se till värmarens anslutningsbox befinner sig på värmarens ovansida!

Vid leverans av infrarödvärmaren på 1300W är ett brandskyddsband inkluderat. Applicera detta på utsidan av utskärningen innan strålkastaren monteras (Se **A** i **Bild 5**)

Bild 5: Installation av infrarödvärmare med och utan lock av rostfritt stål som tillval



A utskärning kabinvägg

B Infrarödvärmare

C Skydd i rostfritt stål

6. Rengöring och underhåll

6.1. Rengöring

VARNING!**Skador på enheten**

Värmaren är stänksäker, men direkt kontakt med vatten kan skada enheten.

- Doppa ALDRIG apparaten i vatten.
- Håll ALDRIG vatten över apparaten.
- Rengör inte apparaten med för mycket vatten.

1. Stäng av värmaren
2. Låt värmaren svalna
3. Torka försiktigt av glaset med en fuktig trasa.

6.2. Underhåll

Infrarödvärmaren är underhållsfri.

7. Avfallshantering



- Ta hand om förpackningsmaterialet enligt gällande bestämmelser.
- Enheterna innehåller både återanvändbart material och skadliga ämnen. Släng inte en uttjänt produkt i hushållssoporna, utan lämna den till återvinning enligt gällande bestämmelser.

8. Tekniska data

Allmänt gällande värmare

Förutsättningar för lagring

-25°C till +70°C

Omgivningstemperatur:

+10°C bis +140°C

Spänning

230 V ~ 1N 50 Hz

Termalsäkring

130°C

Skyddstyp

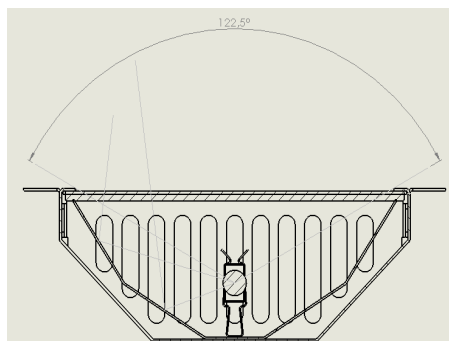
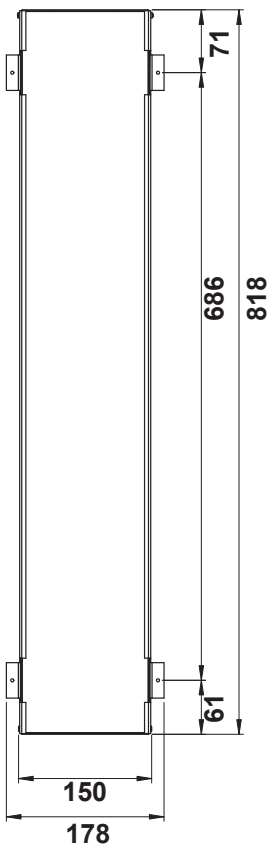
IPX2

Anslutningsledning:

3 m - 3 x 1,5 mm² isolerad med kontakt

Strålvinkel:

122,5°



DIR-350-R

| | |
|---------------|---|
| Mått: | L1 = 523 mm, L2 = 658 mm |
| Frontglas: | Schott Nexterma mörkat glas (1-027-840) |
| Värmeelement: | 350 W - Vitae (1-027-836) |

DIR-500-R

| | |
|---------------|---|
| Mått: | L1 = 686 mm, L2 = 818 mm |
| Frontglas: | Schott Nexterma mörkat glas (1-027-839) |
| Värmeelement: | 500 W - Vitae (1-027-837) |

DIR-750-R

| | |
|---------------|---|
| Mått: | L1 = 686 mm, L2 = 818 mm |
| Frontglas: | Schott Nexterma mörkat glas (1-027-839) |
| Värmeelement: | 750 W - Vitae (1-027-838) |

DIR-1300-R

| | |
|---------------|---|
| Mått: | L1 = 686 mm, L2 = 818 mm |
| Frontglas: | Schott Nexterma mörkat glas (1-027-839) |
| Värmeelement: | 1300 W - Vitae (1-027-835) |

WIR-350-R

| | |
|---------------|---------------------------------------|
| Mått: | L1 = 523 mm, L2 = 658 mm |
| Frontglas: | Schott Nextrema vitt glas (1-027-842) |
| Värmeelement: | 350 W - ECO fullspektralt (1-027-783) |

WIR-500-R

| | |
|---------------|---------------------------------------|
| Mått: | L1 = 686 mm, L2 = 818 mm |
| Frontglas: | Schott Nextrema vitt glas (1-027-841) |
| Värmeelement: | 500 W - ECO fullspektralt (1-027-786) |

WIR-750-R

| | |
|---------------|---------------------------------------|
| Mått: | L1 = 686 mm, L2 = 818 mm |
| Frontglas: | Schott Nextrema vitt glas (1-027-841) |
| Värmeelement: | 750 W - ECO fullspektralt (1-027-789) |

WIR-1300-R

| | |
|---------------|---------------------------------------|
| Mått: | L1 = 686 mm, L2 = 818 mm |
| Frontglas: | Schott Nextrema vitt glas (1-027-841) |
| Värmeelement: | 1300 W - Vitae (1-027-835) |

ECO-350-R

| | |
|---------------|---------------------------------------|
| Mått: | L1 = 523 mm, L2 = 658 mm |
| Frontglas: | Keramikglas mörkat glas (1-030-969) |
| Värmeelement: | 350 W - ECO fullspektralt (1-027-783) |

ECO-500-R

| | |
|---------------|---------------------------------------|
| Mått: | L1 = 686 mm, L2 = 818 mm |
| Frontglas: | Keramikglas mörkat glas (1-030-968) |
| Värmeelement: | 500 W - ECO fullspektralt (1-027-786) |

ECO-750-R

| | |
|---------------|---------------------------------------|
| Mått: | L1 = 686 mm, L2 = 818 mm |
| Frontglas: | Keramikglas mörkat glas (1-030-968) |
| Värmeelement: | 750 W - ECO fullspektralt (1-027-789) |

ECO-350-G

| | |
|---------------|---------------------------------------|
| Mått: | L1 = 523 mm, L2 = 658 mm |
| Front: | Metallgaller svart, vikt (1-027-791) |
| Värmeelement: | 350 W - ECO fullspektralt (1-027-783) |

ECO-500-G

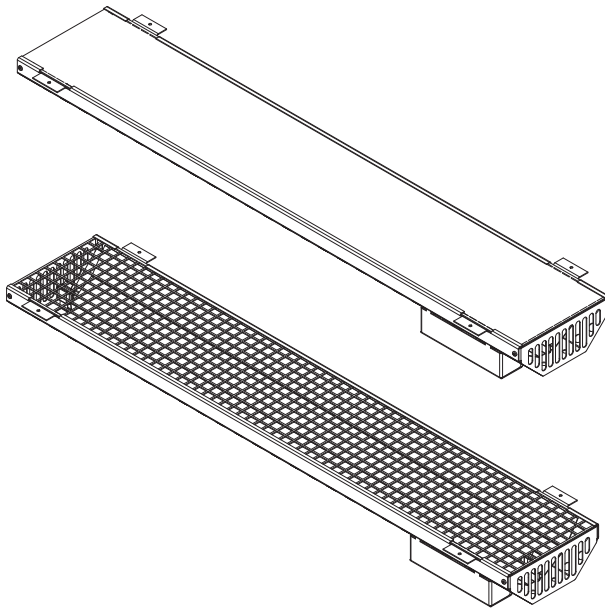
| | |
|---------------|---------------------------------------|
| Mått: | L1 = 686 mm, L2 = 818 mm |
| Front: | Metallgaller svart, vikt (1-027-792) |
| Värmeelement: | 500 W - ECO fullspektralt (1-027-786) |

Täysspektrisäteilijä

VITAE 350 / 500 / 750 / 1300

ECO 350 / 500 / 750

ASENNUS- JA KÄYTTÖOHJEET
Suomi



FI

1-027-780 / DIR-350-R
1-027-781 / DIR-500-R
1-027-782 / DIR-750-R
1-027-779 / DIR-1300-R
1-027-785 / ECO-350-R
1-027-788 / ECO-500-R
1-027-790 / ECO-750-R

1-027-845 / WIR-350-R
1-027-846 / WIR-500-R
1-027-847 / WIR-750-R
1-027-844 / WIR-1300-R
1-027-784 / ECO-350-G
1-027-787 / ECO-500-G

Sisällys

| | |
|--|-----------|
| 1. Sananen näistä ohjeista | 3 |
| 2. Tärkeitä ohjeita turvallisuutesi varmistamiseksi | 4 |
| 2.1. Käyttötarkoitus | 4 |
| 2.2. Turvaohjeita | 4 |
| 3. Tuotekuvaus | 7 |
| 3.1. Toimituskokonaisuus | 7 |
| 3.2. Tuotteen toiminnot | 7 |
| 3.3. Valinnaiset lisätarvikkeet | 7 |
| 4. Oikea sijoittaminen | 8 |
| 5. Asennus ja liitäntä | 9 |
| 5.1. Suojaetäisyydet | 10 |
| 5.2. Asennusaukko | 11 |
| 5.3. Asennus | 12 |
| 6. Puhdistus ja huolto | 13 |
| 6.1. Puhdistus | 13 |
| 6.2. Huolto | 13 |
| 7. Hävittäminen | 13 |
| 8. Tekniset tiedot | 14 |

1. Sananen näistä ohjeista

Lue nämä asennusohjeet huolellisesti ja säilytä niitä infrapunasäteilijän lähellä. Näin turvallisuutta ja käyttöä koskevat tiedot ovat aina saatavillasi.



Asennus- ja käyttöohjeet saat myös Internet-sivujemme materiaalintausosiosta osoitteesta www.sentiotec.com/downloads.

Symbolit ja varoitukset

Näissä asennusohjeissa annetaan varoitus ennen toimia, jotka muodostavat vaaratekijän. Näitä varoituksia on ehdottomasti noudatettava. Näin vältät esinevahingot ja loukkaantumiset, jotka pahimmassa tapauksessa voivat aiheuttaa jopa kuoleman.

Varoituksissa käytetään huomiosanoja, joiden merkitys on seuraava:



VAARA!

Jos et noudata tätä varoitusta, seurauksena on kuolema tai vakava loukkaantuminen.



VAROITUS!

Jos et noudata tätä varoitusta, seurauksena voi olla kuolema tai vakava loukkaantuminen.



VARO!

Jos et noudata tätä varoitusta, seurauksena voi olla lievä loukkaantuminen.

HUOMIO!

Tällä huomiosanalla varoitetaan esinevahingoista.

Muut symbolit



Tällä symbolilla merkitään vinkit ja hyödylliset ohjeet.



Ei saa peittää!



Lue käyttöohjeet

2. Tärkeitä ohjeita turvallisuutesi varmistamiseksi

Infrapunasäteilijä on valmistettu hyväksytyjen turvallisuusteknisten ohjeiden mukaan. Käytön yhteydessä voi silti ilmetä vaaroja. Noudata siksi seuraavia turvaohjeita ja yksittäisissä luvuissa annettuja erityisiä varoituksia.

2.1. Käyttötarkoitus

Infrapunasäteilijää käytetään ihmiskehon ja/tai infrapunasaunan lämmittämiseen.

Infrapunasäteilijää saa käyttää ainoastaan sellaisen ohjaimen yhteydessä, joka on varustettu automaattisella lämmitysajan rajoitustoiminnolla.

Muunlaisen käytön katsotaan poikkeavan tuotteen käyttötarkoituksesta. Tuotteen käyttötarkoituksesta poikkeava käyttö voi johtaa tuotteen vaurioitumiseen, vakaviin vammoihin tai kuolemaan.

2.2. Turvaohjeita

- Vain sähköalan ammattilainen tai vastaavan pätevyyden omaava henkilö saa suorittaa puristusliitosten asennuksen.
- Käyttäjä saa itse suorittaa pistokeliitosten asennuksen.
- Infrapunasäteilijän asennus- ja liitäntätyöt saa tehdä vain jännitteettömässä tilassa.
- Noudata myös sijoituspaikan paikallisia määräyksiä. Standardin EN 60335-2-53 (VDE 0700 Teil 53 (Saksa)) ohjeita tulee noudattaa.

- Huolehdi siitä, että infrapunasäteilijä ei altistu mekaaniselle kuormitukselle. Muutoin säteilijä voi rikkoutua. Säteilijää, jonka lasinen etupuoli tai säteilijäelementti ovat rikkoutuneet, ei saa enää käyttää. Lasi tai säteilijäelementti täytyy vaihtaa (tuotenumerot, katso 8. Tekniset tiedot sivulla 14)
- Infrapunasäteilijän sijoittamisessa ja asennuksessa täytyy noudattaa vähimmäisturvaetäisyyksiä (katso 5.1. Suojaetäisyydet sivulla 10)
- Säteilijä täyttää IPX2-luokan vaatimukset. IPX4-luokan mukaista roiskevesisuojusta asennusta varten infrapunasäteilijän reuna on peitettävä (esim.: jaloteräspaneelilla, katso 3.3. Valinnaiset lisätarvikkeet sivulla 7)
- Säteilijän asentaminen höyrysaunaan ei ole sallittua.
- Käänny oman turvallisuutesi vuoksi toimittajasi puoleen sellaisissa ongelmissa, joita ei käsitellä käyttöohjeessa kyllin tarkasti.
- Varmista ennen infrapunasäteilijän kytkemistä päälle, että infrapunasäteilijän päällä tai edessä ei riipu tulenarkoja esineitä.
- Älä kosketa infrapunasäteilijän lasia milloinkaan käytön aikana. Infrapunasäteilijän lasi kuumenee erittäin kuumaksi. Käyttäjätöiminnosta riippuen voi olla tarpeen asentaa kosketussuoja (esim.: puukaide, suojaritilä, katso 3.3. Valinnaiset lisätarvikkeet sivulla 7).
- Alle 8-vuotiaat lapset eivät saa käyttää laitetta.

- Yli 8-vuotiaat lapset, fyysisiltä, sensorisilta tai henkisiltä kyvyiltään rajoittuneet henkilöt sekä henkilöt, joiden kokemus ja tiedot ovat puutteellisia, saavat käyttää laitetta seuraavin ehdoin:
 - jos he ovat valvonnan alaisia.
 - jos heille on näytetty turvallinen käyttö ja he ymmärtävät vaarat, joita voi syntyä.
- Lapset eivät saa leikkiä laitteella.
- Alle 14-vuotiaat lapset saavat puhdistaa laitteen vain valvonnan alaisina.
- Vältä terveyssyistä altistamasta itseäsi infrapunasäteilylle, jos kärsit lämpöaistimuksen heikentymisestä tai olet alkoholin, lääkkeiden tai huumausaineiden vaikutuksen alaisena.
- Jos säännöllisestä infrapunasäteilytyksestä seuraa eryteema (yli päivän kestävä pysyvä ihon punoitus) tai verkkomaisia värimuutoksia, säteilytystä ei tulisi toistaa. Tämän sijaan on syytä hakeutua lääkäriin eryteema ab igne -oireyhtymän ehkäisemiseksi.
- On suositeltavaa, että infrapunasäteilytystä ei käytetä 24 tunnin kuluessa keinotekoisien UV-säteilytyksen tai auringonoton jälkeen.
- Kehon ylikuumenemisen vaaralle alttiiden henkilöiden (esimerkiksi sydän- ja verisuonisairauksista kärsivien henkilöiden) tulisi kääntyä epäselvissä tapauksissa lääkärin puoleen ennen infrapunasaunan käyttöä.
- Käänny oman turvallisuutesi vuoksi toimittajasi puoleen sellaisissa ongelmissa, joita ei käsitellä käyttöohjeessa kyllin tarkasti.

3. Tuotekuvaus

3.1. Toimituskokonaisuus

- IR-säteilijä ml. 3 m:n liitäntäjohto ja pistoke
- Asennusohje

3.2. Tuotteen toiminnot

Infrapunäsäteilijässä on seuraavat toiminnot:

- Asennus taka-, etu- tai kattosäteilijäksi
- Luonnostaan vaaraton lämpötilan turvarajoittimen ansiosta
- Portaattomasti himmennettävä
- Lasikannella varustetut mallit täyttävät etupaneelilla tai puukaiteen varustettuina kotelointiluokan IPX4 vaatimukset (sopivat saunoihin)
- VITAE-täysspektrisäteilijä - Nextrema tumma
Säteilyintensiteetti: A 24%, B 55%, C 21%
- Nextrema-täysspektrisäteilijä - valkoinen
Säteilyintensiteetti: A 9%, B 57%, C 34%
- ECO täysspektrisäteilijä - lasi
Säteilyintensiteetti: A 24%, B 55%, C 21%
- ECO täysspektrisäteilijä - ritilä
Säteilyintensiteetti: A 14%, B 40%, C 46 %

3.3. Valinnaiset lisätarvikkeet

- Etupaneeli, harjattu jaloteräs
(350W/1-027-948, 500/750/1300W/1-027-779)
- Etupaneeli, mustaksi maalattu jaloteräs
(350W/1-027-905, 500/750/1300W/1-027-157)
- Suojaritilä (350/1-027-791, 500W/1-027-792)
- Ergonominen selkänöja (350/500W/514-L/A/D)
- Ergonominen VitaMy-selkänöja (350W/1-039-182)

- Puukaide, lehmus (350W/1-028-578, 500/750W/1-032-185)
- Prestige-puukaide (350W/1-032-186, 500/750W/1-032-213)
- Infrapunajakaja (IR-1P2, IR-1P3, IR-1P5)
- Jakajan johto (IR-1P2, IR-1P3, IR-1P5)
- Jakajan liitäntäjohto (IR-IS-A03, IR-IS-A10, IR-IS-A25)

4. Oikea sijoittaminen

Käytettävissä:

- Takasäteilijä: 350 W, 500 W
- Etusäteilijä: 350 W, 500 W, 750 W
- Kattosäteilijä: 750 W, 1300 W

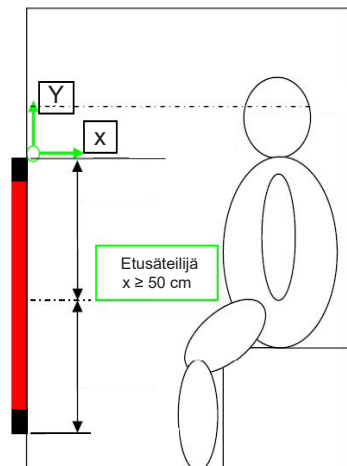
Standardin EN 60335-2-53 mukaan infrapunasaunan 20 x 20 cm:n lohkoa mitattu keskimääräinen säteilyvoimakkuus ei saa ylittää henkilön rinnan ja selän alueella arvoa 1000 W m⁻² (huomaa: tämä raja-arvo liittyy liiallisen lämpökuormituksen välttämiseen).

Jotta tämä raja-arvo ei ylitä, takasäteilijänä saa käyttää vain 350 W:n tai 500 W:n säteilijää. Lisäksi takasäteilijää sijoitettaessa on huolehdittava siitä, että selän etäisyys säteilijästä on aina vähintään 4 cm.

Etusäteilijänä saa käyttää vain 350 W:n, 500 W:n tai 750 W:n säteilijää. Tällöin on huolehdittava siitä, että ylävartalon ja etusäteilijän etäisyys on aina vähintään 50 cm (kuvassa "x").

Jotta ICNIRP-raja-arvot alitetaan pitkäaikaisen 100 W/m² -raja-arvon „Infrapuna silmä“ suhteen, säteilijät täytyy suunnata alaspäin (im Bild „Y“).

Yksityiskohtaiset tiedot on ilmoitettu Seibersdorf Laboratoriesin tarkastuskertomuksissa LE-G18/3 ja LE-G31/18.



5. Asennus ja liitäntä



VAROITUS!

Sähköiskuvaara

- Tee infrapunasäteilijään liittyviä asennus- ja liitäntätöitä ainoastaan laitteen ollessa jännitteetön.

- Säteilijä toimitetaan pistoke valmiiksi asennettuna. Myös käyttäjä itse saa suorittaa pistokeliitännöjen asennuksen.
- Poista pistoke, jos säteilijä asennetaan kiinteästi ohjaimen. Vain sähköalan ammattilainen tai vastaavan pätevyyden omaava henkilö saa suorittaa puristusliitoksen asennuksen.
- Säteilijän taustapuolta EI saa peittää, jotta syntyvä lämpö pääsee poistumaan aukkojen kautta.
- Ylä- ja alapuolella olevia tuuletusrakojta EI saa peittää (katso **Kuva 1**)
- Jotta lämpövaroke toimisi oikein, säteilijän liitäntärasian täytyy olla pystyasennuksessa (esim. takasäteilijä) ylhäällä (katso **Kuva 14**).
- Noudata minimiturvaetäisyyksiä helposti syttyviin materiaaleihin (katso **5.1. Suojaetäisyydet sivulla 10**).

FI



Kuva 1: Tuuletusraot vapaina



Kuva 2: Liitäntärasian paikka

5.1. Suojaetäisyydet

Noudata ilmoitettuja minimiturvaetäisyyksiä ja kuvaa **Kuva 3**.

Infrapunasäteilijä 350 W, 500 W

(DIR-350-R / DIR-500-R / WIR-350-R / WIR-500-R /
ECO-350-R / ECO-500-R / ECO-350-G / ECO-500-G)

pystyasennuksessa:

B = 15 mm

F = 25 mm

vaaka-asennuksessa:

B = 80 mm

F = 25 mm

Infrapunasäteilijä 750 W (DIR-750-R / WIR-750-R / ECO-750-R)

vaaka-asennuksessa:

B = 100 mm

F = 150 mm

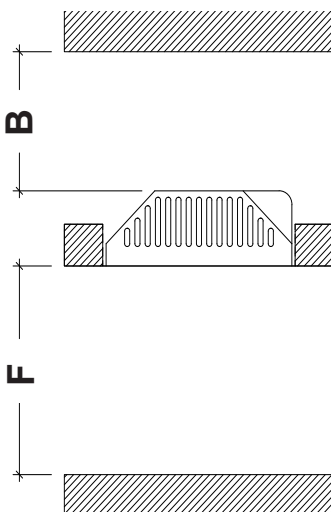
Infrapunasäteilijä 1300 W (DIR-1300-R / WIR-1300-R)

vaaka-asennuksessa:

B = 150 mm

F = 200 mm

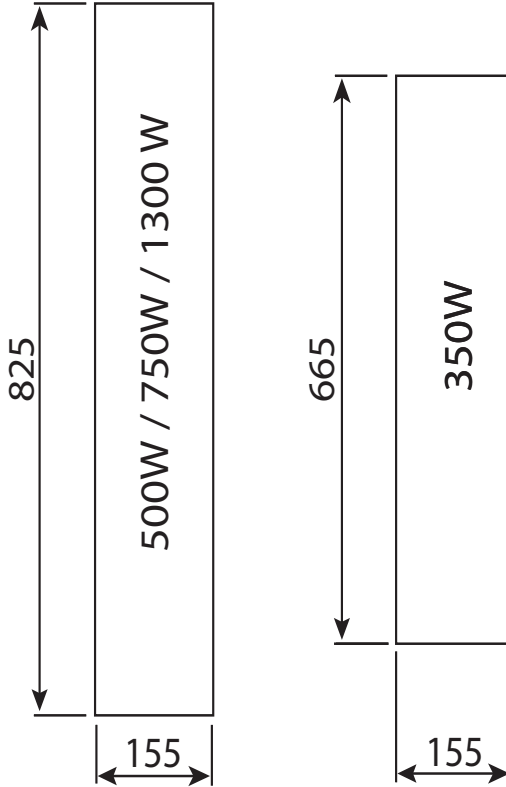
Kuva 3: Infrapunasäteilijän turvaetäisyydet



5.2. Asennusaukko

Noudata kuvia **Kuva 1** ja **Kuva 4**.

Kuva 4: Infrapunasäteilijän asennusaukot
Mittayksikkö mm



5.3. Asennus

Noudata kuvia **Kuva 2** ja **Kuva 5**.

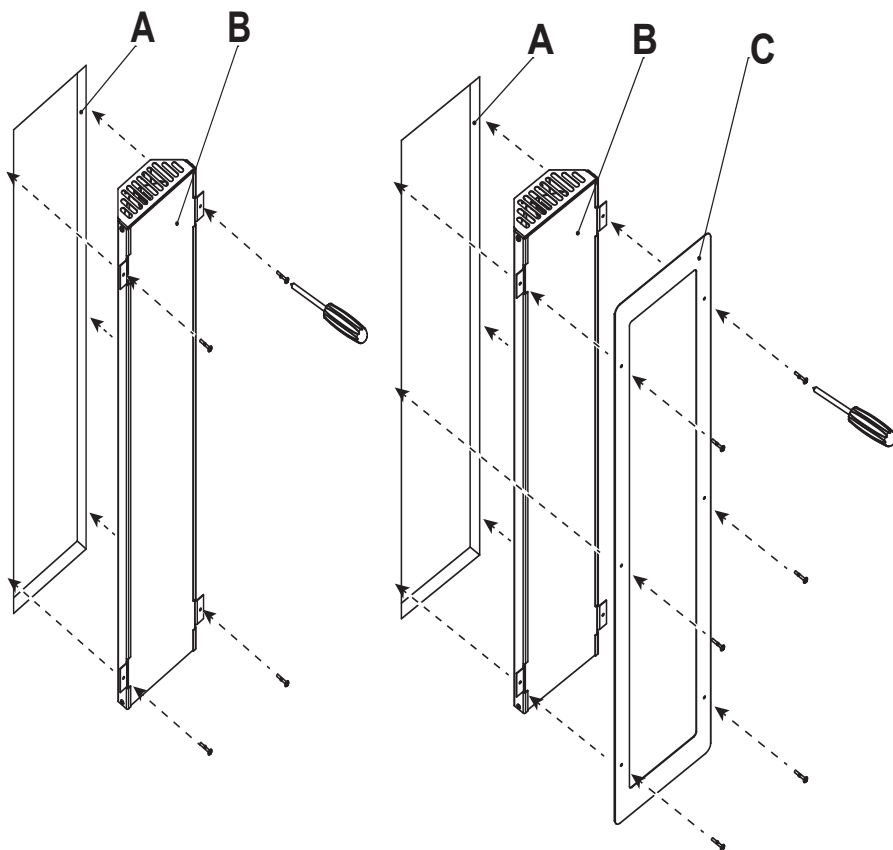


VARO!

Huolehdi siitä, että säteilijän liitántärasia on yläpuolella!

1300 W:n infrapunasäteilijöiden toimituskokonaisuuteen kuuluu palosuojaanauha. Liimaa se ennen säteilijän asentamista aukon ulkoreunaan (**katso A kuvassa Kuva 5**)

Kuva 5: Infrapunasäteilijän asennus ilman valinnaista jaloteräspaneelia ja jaloteräspaneelilla varustettuna



- A Aukko saunan seinässä
- B Infrapunasäteilijä
- C Jaloteräspaneeli (valinnainen)

6. Puhdistus ja huolto

6.1. Puhdistus

HUOMIO!

Laitteen vauriot

Vaikka infrapunasäteilijä on roiskevesisuojattu, se voi silti vaurioitua joutuessaan suoraan kosketukseen veden kanssa.

- ÄLÄ KOSKAAN upota laitetta veteen.
- Älä kaada laitteen päälle vettä.
- Älä puhdista laitetta liian kostealla liinalla.

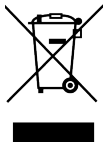
1. Kytke säteilijä pois päältä
2. Anna säteilijän jäähtyä
3. Pyyhi lasi varovasti kostealla liinalla.

6.2. Huolto

Infrapunasäteilijää ei tarvitse huoltaa.

FI

7. Hävittäminen

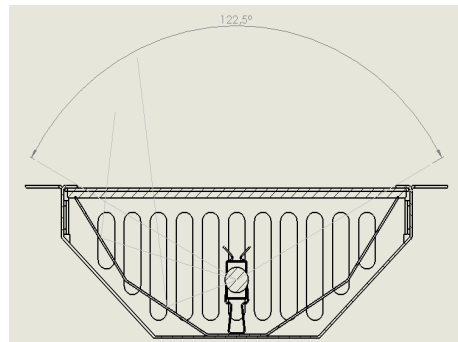
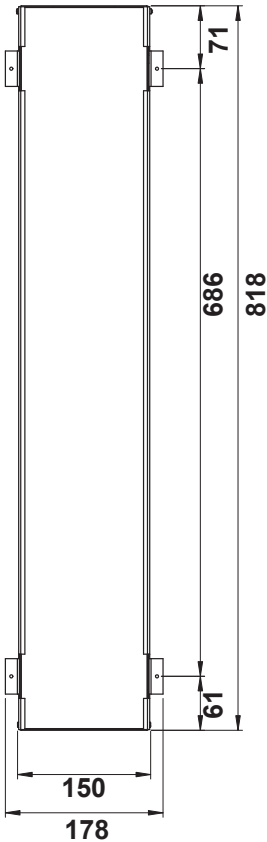


- Hävitä pakkausmateriaali voimassaolevien määräysten mukaisesti.
- Laiteromussa on kierrätettäviä materiaaleja, mutta myös haitallisia aineita. Älä siis missään tapauksessa hävitä laiteromua sekajätteen mukana, vaan hävitä laite paikallisten voimassa olevien määräysten mukaisesti.

8. Tekniset tiedot

Yleisesti kaikki säteilijät

| | |
|------------------------|--|
| Varastointiolosuhteet: | -25°C ... +70°C |
| Ympäristön lämpötila: | +10°C ... +140°C |
| Verkojännite: | 230 V ~ 1N 50 Hz |
| Lämpövaroke: | 130°C |
| Kotelointiluokka: | IPX2 |
| Liitäntäjohto: | 3 m - 3 x 1,5 mm ² , eristetty, varustettu pistokkeella |
| Säteilykulma: | 122,5° |



DIR-350-R

| | |
|---------------------|-----------------------------------|
| Mitat: | P1 = 523 mm, P2 = 658 mm |
| Etulasi: | Schott Nextrema tumma (1-027-840) |
| Säteilijäelementti: | 350 W - Vitae (1-027-836) |

DIR-500-R

| | |
|---------------------|-----------------------------------|
| Mitat: | P1 = 686 mm, P2 = 818 mm |
| Etulasi: | Schott Nextrema tumma (1-027-839) |
| Säteilijäelementti: | 500 W - Vitae (1-027-837) |

DIR-750-R

| | |
|---------------------|-----------------------------------|
| Mitat: | P1 = 686 mm, P2 = 818 mm |
| Etulasi: | Schott Nextrema tumma (1-027-839) |
| Säteilijäelementti: | 750 W - Vitae (1-027-838) |

DIR-1300-R

| | |
|---------------------|-----------------------------------|
| Mitat: | P1 = 686 mm, P2 = 818 mm |
| Etulasi: | Schott Nextrema tumma (1-027-839) |
| Säteilijäelementti: | 1300 W - Vitae (1-027-835) |

WIR-350-R

| | |
|---------------------|---------------------------------------|
| Mitat: | P1 = 523 mm, P2 = 658 mm |
| Etulasi: | Schott Nextrema valkoinen (1-027-842) |
| Säteilijäelementti: | 350 W - ECO täysspektri (1-027-783) |

WIR-500-R

| | |
|---------------------|---------------------------------------|
| Mitat: | P1 = 686 mm, P2 = 818 mm |
| Etulasi: | Schott Nextrema valkoinen (1-027-841) |
| Säteilijäelementti: | 500 W - ECO täysspektri (1-027-786) |

WIR-750-R

| | |
|---------------------|---------------------------------------|
| Mitat: | P1 = 686 mm, P2 = 818 mm |
| Etulasi: | Schott Nextrema valkoinen (1-027-841) |
| Säteilijäelementti: | 750 W - ECO täysspektri (1-027-789) |

WIR-1300-R

| | |
|---------------------|---------------------------------------|
| Mitat: | P1 = 686 mm, P2 = 818 mm |
| Etulasi: | Schott Nextrema valkoinen (1-027-841) |
| Säteilijäelementti: | 1300 W - Vitae (1-027-835) |

ECO-350-R

| | |
|---------------------|-------------------------------------|
| Mitat: | P1 = 523 mm, P2 = 658 mm |
| Etulasi: | Lasikeramiikka, tumma (1-030-969) |
| Säteilijäelementti: | 350 W - ECO täysspektri (1-027-783) |

ECO-500-R

| | |
|---------------------|-------------------------------------|
| Mitat: | P1 = 686 mm, P2 = 818 mm |
| Etulasi: | Lasikeramiikka, tumma (1-030-968) |
| Säteilijäelementti: | 500 W - ECO täysspektri (1-027-786) |

ECO-750-R

| | |
|---------------------|-------------------------------------|
| Mitat: | P1 = 686 mm, P2 = 818 mm |
| Etulasi: | Lasikeramiikka, tumma (1-030-968) |
| Säteilijäelementti: | 750 W - ECO täysspektri (1-027-789) |

ECO-350-G

| | |
|---------------------|-------------------------------------|
| Mitat: | P1 = 523 mm, P2 = 658 mm |
| Edusta: | Metalliritilä, musta (1-027-791) |
| Säteilijäelementti: | 350 W - ECO täysspektri (1-027-783) |

ECO-500-G

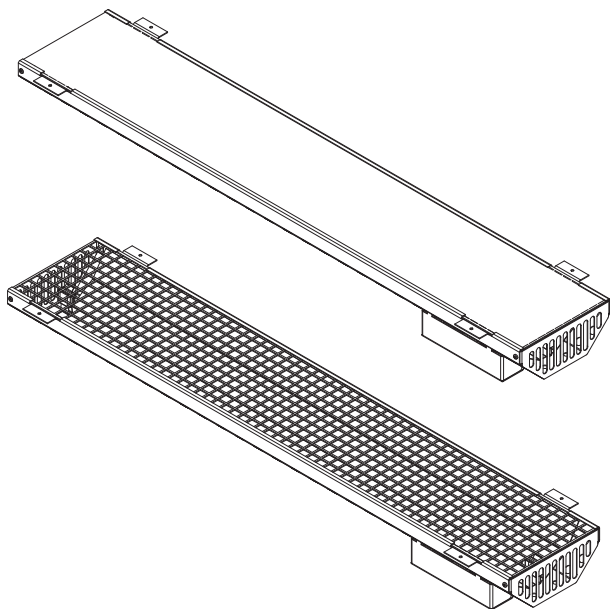
| | |
|---------------------|-------------------------------------|
| Mitat: | P1 = 686 mm, P2 = 818 mm |
| Edusta: | Metalliritilä, musta (1-027-792) |
| Säteilijäelementti: | 500 W - ECO täysspektri (1-027-786) |

Полноспектральный излучатель

VITAE 350/500/750/1300

ECO 350/500/750

ИНСТРУКЦИЯ ПО МОНТАЖУ И ЭКСПЛУАТАЦИИ
Русский



RU

1-027-780/DIR-350-R

1-027-781/DIR-500-R

1-027-782/DIR-750-R

1-027-779/DIR-1300-R

1-027-785/ECO-350-R

1-027-788/ECO-500-R

1-027-790 / ECO-750-R

1-027-845/WIR-350-R

1-027-846/WIR-500-R

1-027-847/WIR-750-R

1-027-844/WIR-1300-R

1-027-784/ECO-350-G

1-027-787/ECO-500-G

Содержание

| | |
|--|-----------|
| 1. Информация к настоящему документу | 3 |
| 2. Важные указания по безопасности | 4 |
| 2.1. Использование по назначению | 4 |
| 2.2. Инструкции по технике безопасности | 4 |
| 3. Описание изделия | 7 |
| 3.1. Комплект поставки | 7 |
| 3.2. Функции изделия | 7 |
| 3.3. Дополнительное оснащение | 7 |
| 4. Правильное размещение | 8 |
| 5. Монтаж и подключение | 9 |
| 5.1. Безопасное расстояние | 10 |
| 5.2. Монтажное отверстие | 11 |
| 5.3. Встраивание | 12 |
| 6. Очистка и техническое обслуживание | 13 |
| 6.1. Очистка | 13 |
| 6.2. Техническое обслуживание | 13 |
| 7. Утилизация | 13 |
| 8. Технические характеристики | 14 |

1. Информация к настоящему документу

Внимательно прочитайте руководство по монтажу. Храните настоящий документ рядом с инфракрасным излучателем, он содержит информацию, необходимую для безопасной эксплуатации устройства.



Эта инструкция по эксплуатации также доступна в разделе «Download» на веб-сайте www.sentiotec.com/downloads.

Предупреждающие знаки

Операции, представляющие опасность, отмечены в настоящем руководстве по монтажу предупреждающими знаками. Обязательно соблюдать указания соответствующих знаков, чтобы избежать повреждений оборудования и травм, которые в самом неблагоприятном случае могут привести к смерти.

Предупреждающие знаки также снабжены сигнальными словами, означающими следующее:



ОПАСНО!

Несоблюдение соответствующего указания приводит к серьезным или смертельным травмам.



ПРЕДУПРЕЖДЕНИЕ!

Несоблюдение соответствующего указания может привести к серьезным или смертельным травмам.



ОСТОРОЖНО!

Несоблюдение соответствующего указания может привести к легким травмам.

ВНИМАНИЕ!

Означает возможность повреждения оборудования.

Другие знаки



Этим знаком обозначены рекомендации и полезные советы.



Не накрывать!



Прочитать инструкцию по эксплуатации

2. Важные указания по безопасности

Инфракрасный излучатель сконструирован согласно признанным правилам техники безопасности. Тем не менее, при эксплуатации этого устройства могут возникать опасные ситуации. Строго соблюдать следующие указания по технике безопасности и специальные инструкции, приводимые в каждой главе.

2.1. Использование по назначению

Инфракрасный излучатель используется для нагрева человеческого тела и/или нагрева инфракрасной кабины.

Инфракрасный излучатель может работать только в сочетании с контроллером с автоматическим ограничением времени нагрева.

Любое иное использование считается использованием не по назначению. Использование не по назначению может привести к повреждению изделия, серьезным травмам или смертельному исходу.

2.2. Инструкции по технике безопасности

- Исключительно специалистам-электрикам или лицам с аналогичной квалификацией разрешается выполнять работы по монтажу клеммных соединений.
- Монтаж штекерных соединений может выполнять пользователь.
- Работы по монтажу и подключению инфракрасного излучателя выполнять исключительно на обесточенном оборудовании.
- Соблюдать также требования регламентов, действующих в месте установки блока управления. Необходимо соблюдать предписания стандарта EN 60335-2-53 (VDE 0700, ч. 53).

- Убедитесь в том, что инфракрасный излучатель не подвергается механической нагрузке: это приведет к его поломке. Излучатели с разбитой передней стеклянной панелью или излучающим элементом использовать нельзя. Стекло или излучающий элемент необходимо заменить (артикул см. 8. Технические характеристики на стр. 14)
- При позиционировании и установке инфракрасного излучателя необходимо соблюдать минимальные безопасные расстояния (см. 5.1. Безопасное расстояние на стр. 10)
- Излучатель соответствует требованиям согласно IPX2. Для установки с защитой от водяных брызг по IPX4 необходима обшивка края инфракрасного излучателя (например, экран из высококачественной стали, см. 3.3. Дополнительное оснащение на стр. 7)
- Установка излучателей в паровую баню не допускается.
- При возникновении проблем, которые не удается устранить, используя информацию инструкции по эксплуатации, во избежание опасных ситуаций обратиться к поставщику устройства.
- Прежде чем включать панель управления сауной, убедитесь в том, что на инфракрасном излучателе или перед ним нет никаких воспламеняющихся предметов.
- Никогда не прикасайтесь к стеклу инфракрасного излучателя во время работы. Стекло инфракрасного излучателя становится очень горячим. В зависимости от функции пользователя может понадобиться монтаж защиты от касания (например, деревянная спинка, защитная решетка, см. 3.3. Дополнительное оснащение на стр. 7).
- Запрещается использовать устройство детям младше 8 лет.

- Использование устройства детьми старше 8 лет, лицами с ограниченными физическими, сенсорными или умственными возможностями и лицами с недостаточным опытом и знаниями разрешается при соблюдении следующих условий:
 - если они находятся под надзором;
 - если им было продемонстрировано безопасное обращение с блоком управления и они понимают опасности, которые могут возникнуть.
- Детям запрещается играть с устройством.
- Дети, не достигшие 14 лет, могут выполнять очистку устройства только под присмотром других лиц.
- Если вы принадлежите к кругу людей с ограниченным ощущением тепла или находитесь под воздействием алкоголя, лекарств или наркотиков, откажитесь от инфракрасного облучения по состоянию здоровья.
- В случае продолжительной эритемы (покраснение кожи, сохраняющееся в течение более одного дня) или сетевидного изменения цвета кожи после регулярного ИК-облучения повторять процедуру облучения ни в коем случае нельзя. Чтобы предотвратить возникновение инфракрасной эритемы, следует получить консультацию врача.
- Рекомендуются не пользоваться ИК-облучением в течение 24 ч после посещения солярия или принятия солнечной ванны (УФ-облучения).
- Лицам с риском перегрева, например лицам, страдающим заболеваниями сердечно-сосудистой системы, в случае сомнений необходимо получить консультацию врача, прежде чем пользоваться тепловой кабиной.
- При возникновении проблем, которые не удается устранить, используя информацию инструкции по эксплуатации, во избежание опасных ситуаций обратиться к поставщику устройства.

3. Описание изделия

3.1. Комплект поставки

- ИК-излучатели вкл. соединительный кабель 3 м с разъемом
- Инструкция по монтажу

3.2. Функции изделия

Инфракрасный излучатель оснащен следующими функциями.

- Установка в качестве заднего, переднего или потолочного излучателя
- Искробезопасное исполнение благодаря ограничителю температуры
- Бесступенчатое регулирование
- Модели со стеклянной крышкой обеспечивают степень защиты IPX4 во встроеном состоянии в сочетании с передней панелью или деревянной спинкой (подходит для саун)
- VITAE Полноспектральный излучатель Nextrema темного цвета
Интенсивность излучения: А 24 %, В 55 %, С 21 %
- Nextrema Полноспектральный излучатель белого цвета
Интенсивность излучения: А 9%, В 57%, С 34%
- Полноспектральный излучатель ECO со стеклом
Интенсивность излучения: А 24 %, В 55 %, С 21 %
- Полноспектральный излучатель ECO с решеткой
Интенсивность излучения: А 14%, В 40%, С 46 %

3.3. Дополнительное оснащение

- Передняя панель, нержавеющая сталь, сатинированная (350W/1-027-948, 500/750/1300W/1-027-779)
- Передняя панель, нержавеющая сталь, черная лакированная (350W/1-027-905, 500/750/1300W/1-027-157)
- Защитная решетка (350/1-027-791, 500W/1-027-792)
- Эргономичная спинка (350/500W/514-L/A/D)
- Эргономичная спинка VitaMy (350W/1-039-182)

- Деревянная спинка — липа (350W/1-028-578, 500/750W/1-032-185)
- Деревянная спинка Prestige (350W/1-032-186, 500/750W/1-032-213)
- Инфракрасный распределитель (IR-1P2, IR-1P3, IR-1P5)
- Кабель для распределителя (IR-1P2, IR-1P3, IR-1P5)
- Соединительный провод для распределителя (IR-IS-A03, IR-IS-A10, IR-IS-A25)

4. Правильное размещение

Применение в качестве:

- Задний излучатель: 350 Вт, 500 Вт
- Передний излучатель: 350 Вт, 500 Вт, 750 Вт
- Потолочный излучатель: 750 Вт, 1300 Вт

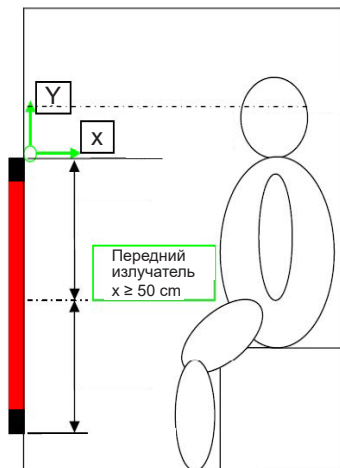
Согласно стандарту EN 60335-2-53, в инфракрасной тепловой кабине усредненная по сетке 20 x 20 см сила облучения в области груди и спины человека не должна превышать 1000 Вт м⁻² (следует отметить, что этот предел относится к предотвращению теплового стресса).

Чтобы убедиться, что этот предел не превышен, в качестве заднего излучателя можно использовать только мощность 350 Вт или 500 Вт. Кроме того, при размещении заднего излучателя следует следить за тем, чтобы расстояние сзади до излучателя было не менее 4 см.

В качестве передних излучателей могут использоваться только излучатели с мощностью 350 Вт, 500 Вт или 750 Вт. При этом следует отметить, что минимальное расстояние между верхней частью тела и передним излучателем должно составлять не менее 50 см (на картинке «х»).

Чтобы не превышать пороговых уровней воздействия ICNIRP для долговременного предельного значения 100 Вт/м² «инфракрасного глаза», необходимо переместить излучатели вниз (на картинке «Y»).

Подробную информацию можно найти в экспертном заключении LE-G18/3 и LE-G31/18 Seibersdorf Laboratories.



5. Монтаж и подключение



ПРЕДУПРЕЖДЕНИЕ!

Опасность поражения током

- Работы по монтажу и подключению инфракрасного излучателя выполнять исключительно на обесточенном оборудовании.

- Излучатель поставляется с предварительно собранным разъемом. Монтаж штекерного соединения может выполнять пользователь.
- Если излучатель подключен к контроллеру с помощью фиксированного монтажа, извлеките разъем. Исключительно специалистам-электрикам или лицам с аналогичной квалификацией разрешается выполнять работы по монтажу клеммного соединения.
- Заднюю часть излучателя НЕЛЬЗЯ накрывать, чтобы образующееся тепло могло уйти через отверстия.
- Вентиляционные отверстия сверху и снизу закрывать нельзя (см. **Рис. 1**)
- Для правильной работы термopедохранитель должен располагаться сверху при вертикальной установке (например, в заднем излучателе) в распределительной коробке излучателя (см. **Рис. 14**).
- Соблюдайте минимальные безопасные расстояния до легковоспламеняющихся материалов (см. **5.1. Безопасное расстояние на стр. 10**).



Рис. 1. Освободить вентиляционные отверстия



Рис. 2. Положение Распределительная коробка

5.1. Безопасное расстояние

Обратите внимание на указанные минимальные безопасные расстояния и **Рис. 3**.

Инфракрасный излучатель 350 Вт, 500 Вт
(DIR-350-R/DIR-500-R/WIR-350-R/WIR-500-R/
ECO-350-R/ECO-500-R/ECO-350-G/ECO-500-G)

при вертикальном монтаже:

$B = 15 \text{ мм}$

$F = 25 \text{ мм}$

при горизонтальном монтаже:

$B = 80 \text{ мм}$

$F = 25 \text{ мм}$

Инфракрасный излучатель 750 Вт (DIR-750-R/WIR-750-R/ECO-750-R)

при горизонтальном монтаже:

$B = 100 \text{ мм}$

$F = 150 \text{ мм}$

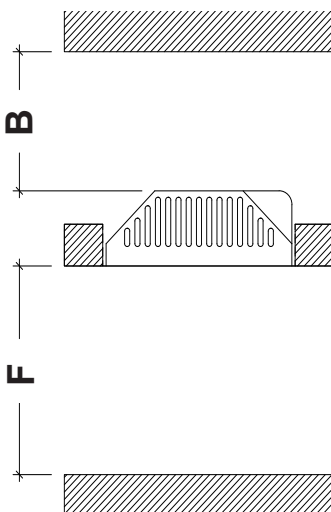
Инфракрасный излучатель 1300 Вт (DIR-1300-R/WIR-1300-R)

при горизонтальном монтаже:

$B = 150 \text{ мм}$

$F = 200 \text{ мм}$

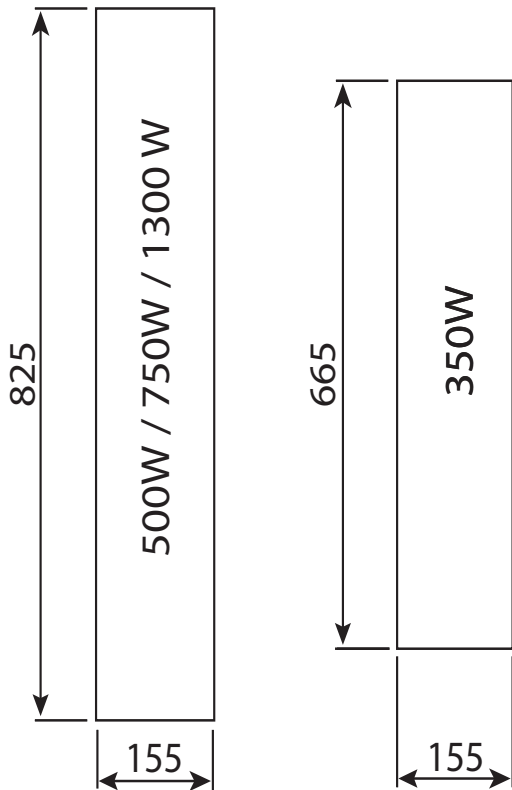
Рис. 3. Безопасные расстояния инфракрасного излучателя



5.2. Монтажное отверстие

Учитывайте **Рис. 1** и **Рис. 4**.

Рис. 4. Монтажные отверстия инфракрасного излучателя
Размеры в мм



5.3. Встраивание

Учитывайте **Рис. 2** и **Рис. 5**.

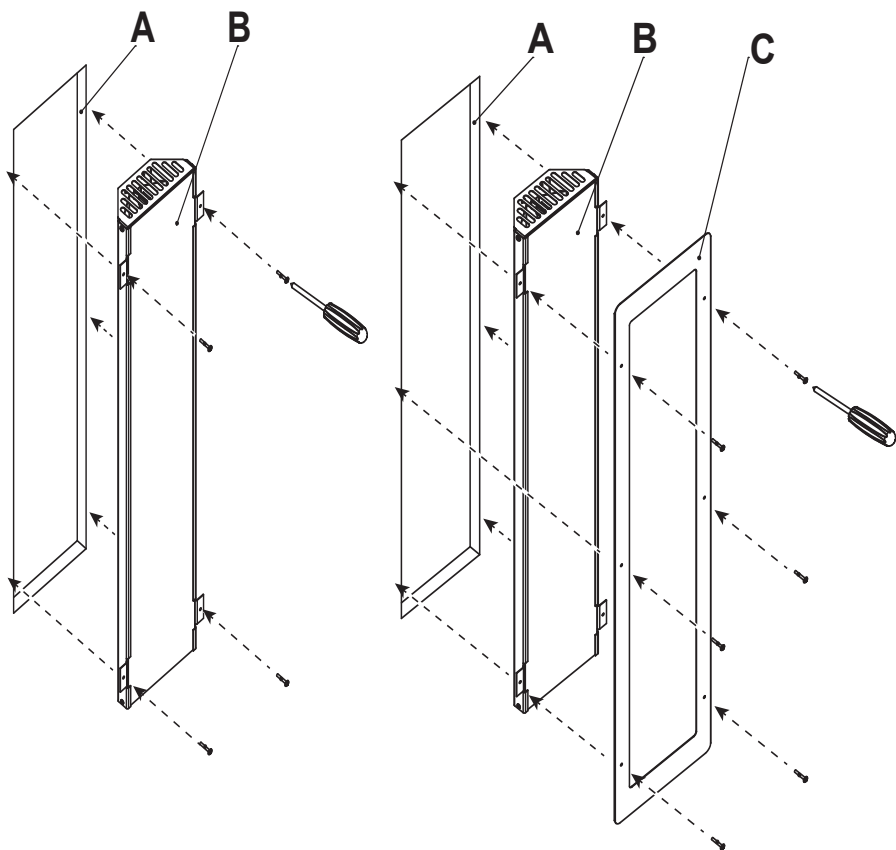


ОСТОРОЖНО!

Убедитесь, что распределительная коробка излучателя находится сверху!

В комплект поставки инфракрасных излучателей мощностью 1300 Вт входит противопожарная полоса. Перед установкой излучателя приклейте ее к внешнему краю выреза (**см. А в Рис. 5**)

Рис. 5. Монтаж инфракрасных излучателей без дополнительного экрана из высококачественной стали и с ним



A Вырез в стенке кабины

B Инфракрасный излучатель

C Экран из высококачественной стали (дополнительно)

6. Очистка и техническое обслуживание

6.1. Очистка

ВНИМАНИЕ!

Повреждения устройства

Излучатель защищен от брызг воды, однако прямой контакт с водой может вызвать повреждение устройства.

- ЗАПРЕЩАЕТСЯ погружать устройство в воду.
- Не наливать на устройство воду.
- Не очищать устройство слишком мокрой салфеткой.

1. Выключить излучатель
2. Дать излучателю остыть
3. Аккуратно протрите стекло влажной тканью.

6.2. Техническое обслуживание

Инфракрасный излучатель не требует технического обслуживания.

7. Утилизация

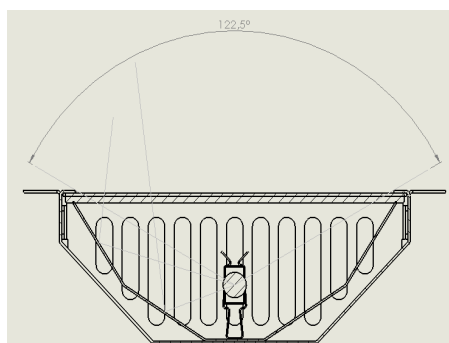
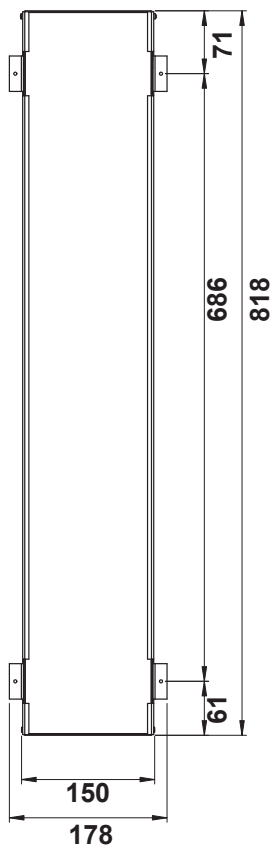


- Утилизировать упаковочные материалы в соответствии с действующими стандартами по утилизации.
- Устройства содержат материалы, которые могут быть использованы повторно, а также вредные вещества. Поэтому запрещается утилизировать устройство вместе с бытовым мусором. Утилизировать исключительно в соответствии с действующими правилами утилизации.

8. Технические характеристики

Общая информация для всех излучателей

| | |
|----------------------------|--|
| Условия хранения: | от -25°C до +70°C |
| Температура внешней среды: | от +10°C до 140°C |
| Напряжение сети: | 230 В ~ 1N 50 Гц |
| Термопредохранитель: | 130°C |
| Степень защиты: | IPX2 |
| Кабель подключения: | 3 м - 3 x 1,5 мм ² изолированный с разъемом |
| Угол излучения: | 122,5° |



DIR-350-R

| | |
|---------------------|---|
| Размеры: | L1 = 523 мм; L2 = 658 мм |
| Переднее стекло: | Schott Nextrema темного цвета (1-027-840) |
| Излучающий элемент: | 350 Вт - Vitae (1-027-836) |

DIR-500-R

| | |
|---------------------|---|
| Размеры: | L1 = 686 мм; L2 = 818 мм |
| Переднее стекло: | Schott Nextrema темного цвета (1-027-839) |
| Излучающий элемент: | 500 Вт - Vitae (1-027-837) |

DIR-750-R

| | |
|---------------------|---|
| Размеры: | L1 = 686 мм; L2 = 818 мм |
| Переднее стекло: | Schott Nextrema темного цвета (1-027-839) |
| Излучающий элемент: | 750 Вт - Vitae (1-027-838) |

DIR-1300-R

| | |
|---------------------|---|
| Размеры: | L1 = 686 мм; L2 = 818 мм |
| Переднее стекло: | Schott Nextrema темного цвета (1-027-839) |
| Излучающий элемент: | 1300 Вт - Vitae (1-027-835) |

WIR-350-R

| | |
|---------------------|--|
| Размеры: | L1 = 523 мм; L2 = 658 мм |
| Переднее стекло: | Schott Nextrema белого цвета (1-027-842) |
| Излучающий элемент: | 350 Вт - полноспектральный ECO (1-027-783) |

WIR-500-R

| | |
|---------------------|--|
| Размеры: | L1 = 686 мм; L2 = 818 мм |
| Переднее стекло: | Schott Nextrema белого цвета (1-027-841) |
| Излучающий элемент: | 500 Вт - полноспектральный ECO (1-027-786) |

WIR-750-R

| | |
|---------------------|--|
| Размеры: | L1 = 686 мм; L2 = 818 мм |
| Переднее стекло: | Schott Nextrema белого цвета (1-027-841) |
| Излучающий элемент: | 750 Вт - полноспектральный ECO (1-027-789) |

WIR-1300-R

| | |
|---------------------|--|
| Размеры: | L1 = 686 мм; L2 = 818 мм |
| Переднее стекло: | Schott Nextrema белого цвета (1-027-841) |
| Излучающий элемент: | 1300 Вт - Vitae (1-027-835) |

ECO-350-R

| | |
|---------------------|--|
| Размеры: | L1 = 523 мм; L2 = 658 мм |
| Переднее стекло: | керамика из стекла черного цвета (1-030-969) |
| Излучающий элемент: | 350 Вт - полноспектральный ECO (1-027-783) |

ECO-500-R

| | |
|---------------------|--|
| Размеры: | L1 = 686 мм; L2 = 818 мм |
| Переднее стекло: | керамика из стекла черного цвета (1-030-968) |
| Излучающий элемент: | 500 Вт - полноспектральный ECO (1-027-786) |

ECO-750-R

| | |
|---------------------|--|
| Размеры: | L1 = 686 мм; L2 = 818 мм |
| Переднее стекло: | керамика из стекла черного цвета (1-030-968) |
| Излучающий элемент: | 750 Вт - полноспектральный ECO (1-027-789) |

ECO-350-G

| | |
|---------------------|--|
| Размеры: | L1 = 523 мм; L2 = 658 мм |
| Передняя сторона: | металлическая сетка черная (1-027-791) |
| Излучающий элемент: | 350 Вт - полноспектральный ECO (1-027-783) |

ECO-500-G

| | |
|---------------------|--|
| Размеры: | L1 = 686 мм; L2 = 818 мм |
| Передняя сторона: | металлическая сетка черная (1-027-792) |
| Излучающий элемент: | 500 Вт - полноспектральный ECO (1-027-786) |

sentiotec

DIVISION OF HARVIA GROUP

CENTRAL EUROPE
sentiotec GmbH | Division of Harvia Group |
Wartenburger Straße 31,
A-4840 Vöcklabruck
T +43 (0) 7672/22 900-50 | F -80 |
info@sentiotec.com | www.sentiotec.com

GLOBAL
HARVIA
P.O. Box 12, Teollisuustie 1-7,
40951 Muurame, FINLAND
T +358 207 464 000
harvia@harvia.fi | www.harvia.fi

RUSSIA
Адрес уполномоченного лица:
ООО «Харвия Рус»
196006, Россия. Санкт-Петербург г,
пр-кт Лиговский, д. 266, стр. 1, помещ.
2.1-Н.50 | ОГРН 1157847200818
T +78123258294 | spb@accountor.ru

