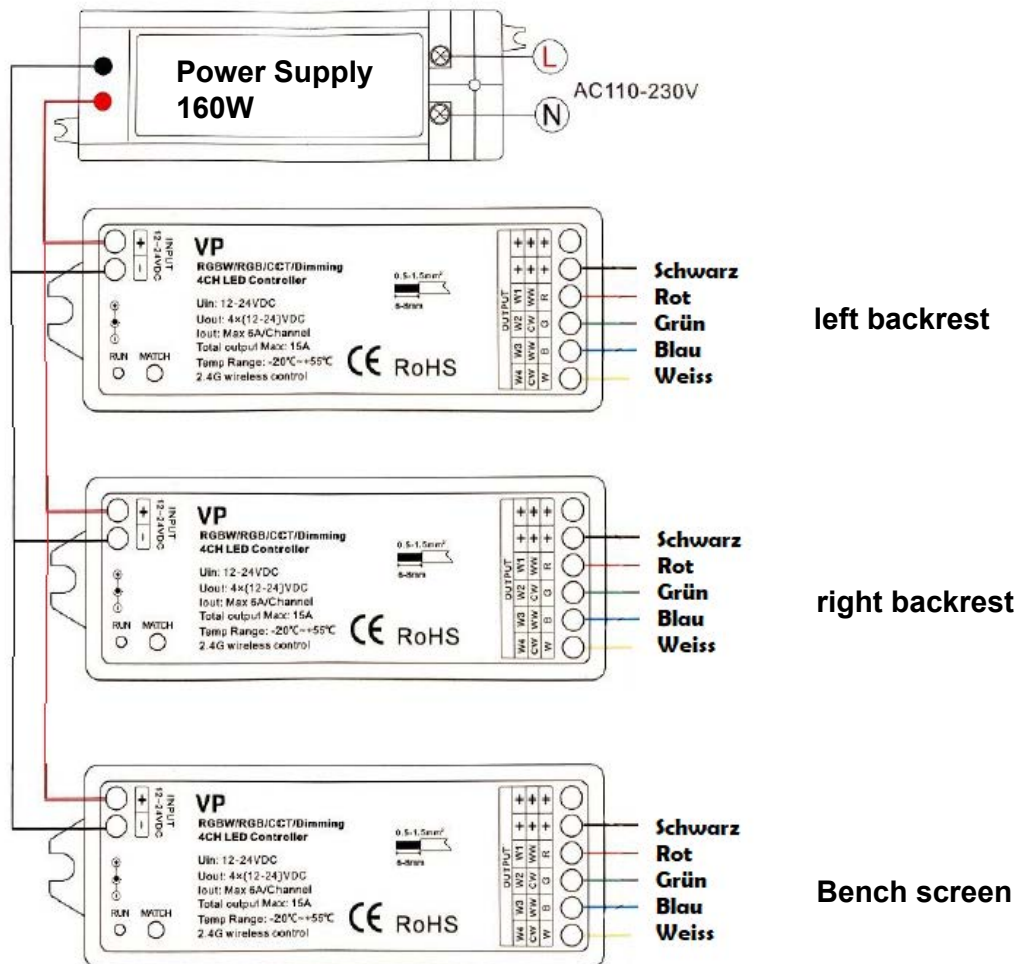
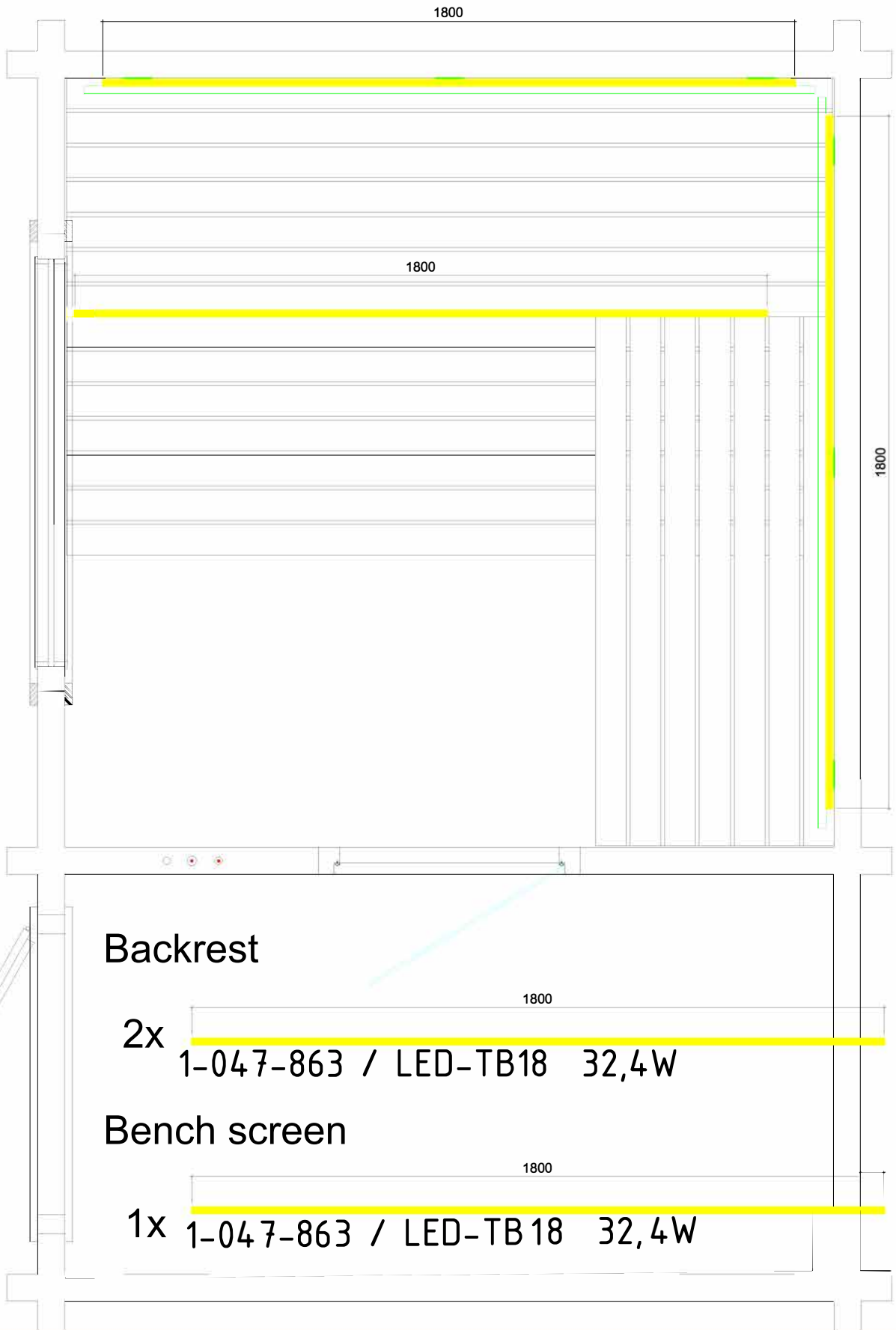


LED-Set Lava

1-053-377

Pcs	Description	Keyword	Art.-Nr.
3	LED Tube 1,8m	LED-TB-18	1-047-863
1	Power supply	LED-PWS-24-160	1-052-974
1	Remote unit with 4 zone	LR-4Z	1-052-087
3	Wireless driver	LC-CV-VP	1-051-767
1	LED-protective box thermo-pine	LED-PB-TP	1-053-611





  DIVISION OF HARVIA GROUP	LED-Sets Lava	LED-LAVA / 1-053-377	
	Lava	Gez. Schachermair	Datum 17.07.2019
		Letzte Änderung	Datum 03.04.2023